



Model Number

IUT-HH43-FR1-01

UHF handheld, Europe

Features

- Suitable for all IUC read/write tags according to EPC Gen2 (ISO/IEC 18000-63)
- Robust design, suitable for indoor and outdoor use
- Simple handling via large touch display
- 3.5" touch screen, color
- Keypad for entry of alphanumeric characters
- Wide variety of helpful functions already available in the standard software
- Can be directly connected to the control panel or computer
- Option to create application-specific software

Matching system components

IUZ-HH41/43-CHARGER-EU

Charger for IUT-HH41* and IUT-HH43*

IUZ-HH41/43-CHARGER-US

Charger for IUT-HH41* and IUT-HH43*

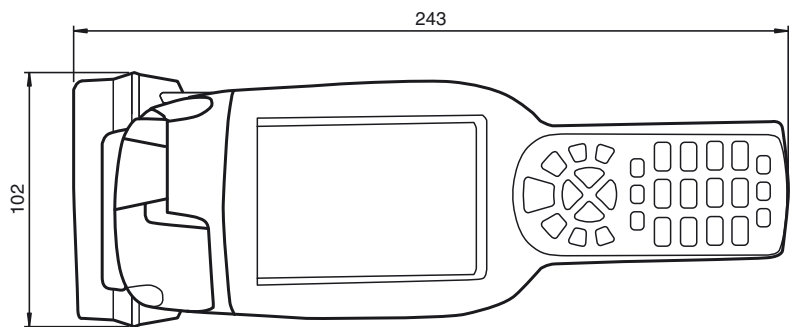
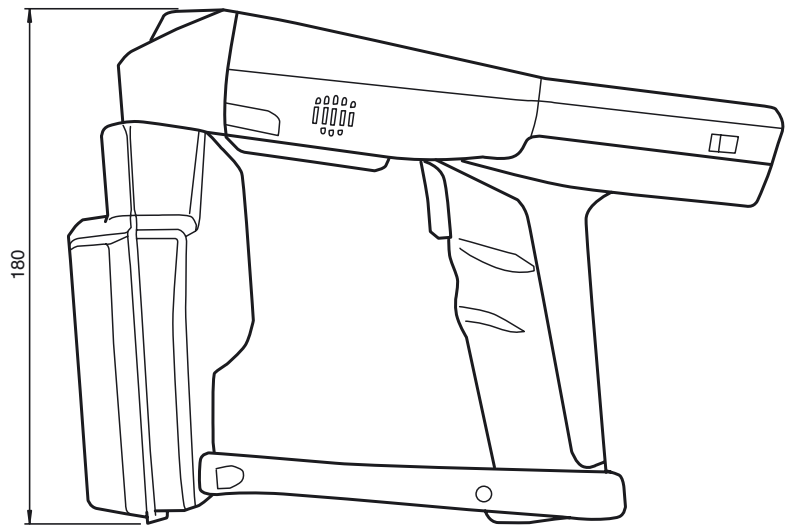
IUZ-HH41/43-CHARGER-CN

Charger for IUT-HH41* and IUT-HH43*

IUZ-HH41/43-BAT

Lithium-ion battery for IUT-HH41-* and IUT-HH43-*

Dimensions



Technical data

General specifications

Description	Handheld with integrated UHF read/write head, 2-D imager, touch screen, WLAN, Bluetooth, Windows Embedded CE 6.0
Operating frequency	865 ... 868 MHz: EU, Turkey Transmission licenses for other countries on request
Emitted power	6 ... 2000 mW ERP adjustable

Nominal ratings

Processor	ARM11
Clock pulse frequency	532 MHz
Memory	256 MB DDR RAM 288 MB Flash (256 MB available for use) Micro SD slot (SDHC compatible)

Indicators/operating means

Display	3.5" QVGA touch screen Resolution 240 x 320 pixels
Keyboard	Keypad for entering alphanumerical characters
Key	Programmable function keys

Electrical specifications

Battery type	Lithium-ion battery: 7.4 V; 5200 mAh
Supply	via charger or from inserted Li-ion battery

Interface

Interface type	Physical: 10/100 Ethernet and full-speed USB 2.0 via charger Radio connection: WLAN IEEE 802.11 a/b/g/n, Bluetooth 2.0 + EDR
----------------	---

Directive conformity

Radio and telecommunication terminal equipment	
Directive 2014/53/EU	EN 301489-1:2011 V1.9.2, EN 301489-3:2013 V1.6.1, EN 300330-2:2015 V1.6.1, EN 60950-1:2006

Standard conformity

Electromagnetic compatibility	EN 61000-6-2:2005, EN 61000-6-4:2006
Degree of protection	EN 60529
RFID	ISO/IEC 18000-63:2015

Ambient conditions

Release date: 2018-10-18 15:15 Date of issue: 2018-10-24 320562_eng.xml

Refer to "General Notes Relating to Pepperl+Fuchs Product Information".

Ambient temperature	-20 ... 45 °C (-4 ... 113 °F)
Storage temperature	-20 ... 60 °C (-4 ... 140 °F)
Charging temperature	0 ... 45 °C (32 ... 113 °F)

Mechanical specifications

Degree of protection	IP54
Material	
Housing	plastic
Mass	approx. 750 g
Dimensions	250 mm x 105 mm x 175 mm
Note	Li-ion battery included in scope of delivery The charger is not included in the scope of delivery

Notes

This product is a wireless device and may be operated only in the country for which a transmission license exists. Information regarding transmission licenses can be found on the datasheet for the product. If a product is released to a customer in a country for which there is no transmission license, the product may be operated only in the country for which a transmission license exists.

If a product does not correspond to the legal requirements in force in the EU but is released to a purchaser within the EU, the product is intended for use solely in the destination country of the end customer outside of the EU for which a transmission license exists. The product may therefore under no circumstances be used directly by the purchaser or released to third parties for the purpose of distribution, application or use on the market within the EU as part of a commercial activity.

In the event of an infringement, the purchaser is obliged to indemnify the supplier against any resulting damages, costs, penalty payments and other expenses.