

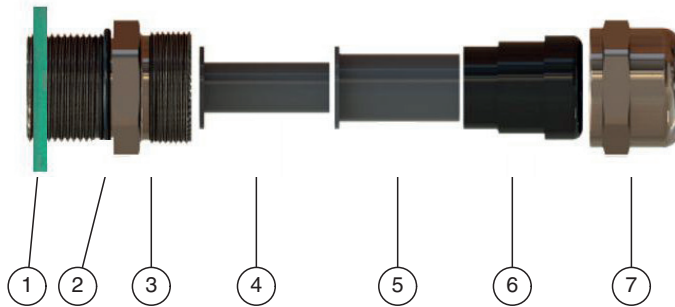
## Cable Glands, Metal, for non-armored Cables

### CG.NA.M32S.BN.C.16.K15

- For cables without armor
- Brass nickel-plated
- Thread M32
- Seal chloroprene
- Ex db, Ex eb and Ex tb certified
- Suitable for operation in Zone 1, Zone 2, Zone 21 and Zone 22
- Suitable for operation in Class I, Zone 1/2/22
- Suitable for operation in Class I, Division 2 when installed in accordance with NEC501.10(B)(2)
- Degree of protection IP66 / IP68, UL Type 4X
- Packaging unit: 15 pieces, without accessories



## Dimensions



Release date: 2022-10-13 Date of issue: 2022-10-13 Filename: 400706\_eng.pdf

Refer to "General Notes Relating to Pepperl+Fuchs Product Information".

Pepperl+Fuchs Group  
www.pepperl-fuchs.com

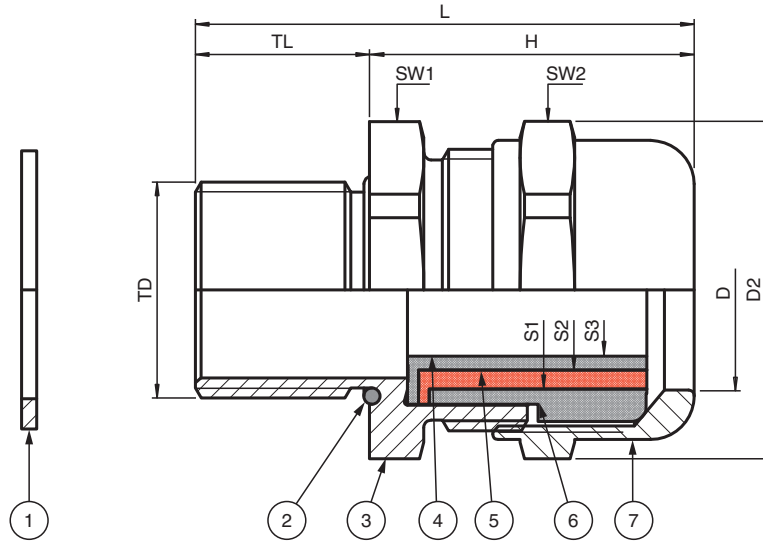
USA: +1 330 486 0002  
pa-info@us.pepperl-fuchs.com

Germany: +49 621 776 2222  
pa-info@de.pepperl-fuchs.com

Singapore: +65 6779 9091  
pa-info@sg.pepperl-fuchs.com

**PF** PEPPERL+FUCHS

**Dimensions**



Details see data table

| Legend |  |
|--------|--|
| 1      | Washer gasket (accessory)                |
| 2      | O-Ring                                   |
| 3      | Gland body basis                         |
| 4      | Seal insert S3                           |
| 5      | Seal insert S2                           |
| 6      | Seal insert S1                           |
| 7      | Cap nut                                  |
| D      | Clamping range, cable sheath diameter    |
| D2     | Width across corners                     |
| H      | Length outside enclosure                 |
| L      | Total length                             |
| S*     | Clamping range, seal insert combinations |
| SW*    | Width across flats                       |
| TD     | Thread size                              |
| TL     | Thread length                            |

Release date: 2022-10-13 Date of issue: 2022-10-13 Filename: 400706\_eng.pdf

**Technical Data**

**Mechanical specifications**

Refer to "General Notes Relating to Pepperl+Fuchs Product Information".

## Technical Data

|  |  |
|--|--|
| Cable type   | non-armored cables   |
| Clamping range (D)   | 14 ... 24 mm   |
| Seal combination S1  | 20 ... 24 mm   |
| Seal combination S1+S2   | 17 ... 20 mm   |
| Seal combination S1+S2+S3                                      | 14 ... 17 mm   |
| Thread type  | metric ISO pitch 1.5 mm  |
| Thread size (TD)   | M32  |
| Degree of protection   | IP66 / IP68 , UL Type 4X   |
| <b>Material</b>  |  |
| Finish   | inherent color silver  |
| Cable gland  | brass, nickel-plated   |
| Washer gasket  | aramid fibers bonded with NBR  |
| O-Ring   | chloroprene  |
| Seal insert  | chloroprene  |
| <b>Mass</b>  |  |
| Individual component   | approx. 115 g  |
| Packing unit   | approx. 1.9 kg   |
| <b>Dimensions</b>  |  |
| Width across corners (D2)                                      | 39 mm  |
| Diameter thru-hole (DT)  | 32 ... 32.3 mm   |
| Length outside enclosure (H)                                   | 35 mm  |
| Width across flats (SW1)                                       | 35 mm  |
| Width across flats (SW2)                                       | 35 mm  |
| Thread length (TL)   | 16 mm  |
| Total length (L)   | 51 mm  |
| <b>Tightening torque</b>                                       |  |
| Nut torque at enclosure (SW1)                                  | 6 Nm   |
| Nut torque 2 with seal S1 (SW2)                                | 20 Nm  |
| Nut torque 2 with seals S1+S2 (SW2)                            | 23 Nm  |
| Nut torque 2 with seals S1+S2+S3 (SW2)                         | 28 Nm  |
| <b>Ambient conditions</b>                                      |  |
| Ambient temperature  | -40 ... 80 °C (-40 ... 176 °F) washer gasket -40 ... 80 °C (-40 ... 176 °F)          |
| <b>Data for application in connection with hazardous areas</b> |  |
| EU-type examination certificate                                | IMQ 14 ATEX 012X   |
| Marking  | Ⓜ II 2 GD<br>Ex db IIC Gb<br>Ex eb IIC Gb<br>Ex tb IIC Db                            |
| <b>International approvals</b>                                 |  |
| UL approval  |  |
| cULus  | E490324 tested to UL 514B<br>E490962 tested to UL 2225<br>CSA 60079-7 , CSA 60079-31 |
| IECEx approval   | IECEx IMQ 14.0004X   |
| UKCA approval  | CML 21 UKEX 11380X   |
| INMETRO approval   | DNV 20.0029 X  |
| EAC approval   | RU C-DE.AA87.B.00459/20  |
| CCC approval   | 2021312313000344   |
| <b>Conformity</b>  |  |
| Degree of protection   | EN 60529   |
| <b>General information</b>                                     |  |
| Delivery quantity  | 15   |
| Scope of delivery  | Cable glands<br>brief instructions (1 copy)  |

Release date: 2022-10-13 Date of issue: 2022-10-13 Filename: 400706\_eng.pdf

Refer to "General Notes Relating to Pepperl+Fuchs Product Information".

Pepperl+Fuchs Group  
www.pepperl-fuchs.comUSA: +1 330 486 0002  
pa-info@us.pepperl-fuchs.comGermany: +49 621 776 2222  
pa-info@de.pepperl-fuchs.comSingapore: +65 6779 9091  
pa-info@sg.pepperl-fuchs.com
 PEPPERL+FUCHS

**Technical Data**

Supplementary information

EC-Type Examination Certificate, Statement of Conformity, Declaration of Conformity, Attestation of Conformity and instructions have to be observed where applicable. For information see [www.pepperl-fuchs.com](http://www.pepperl-fuchs.com).**Accessories**

Sealing plugs

BP.NA.M25-M32S.PA