



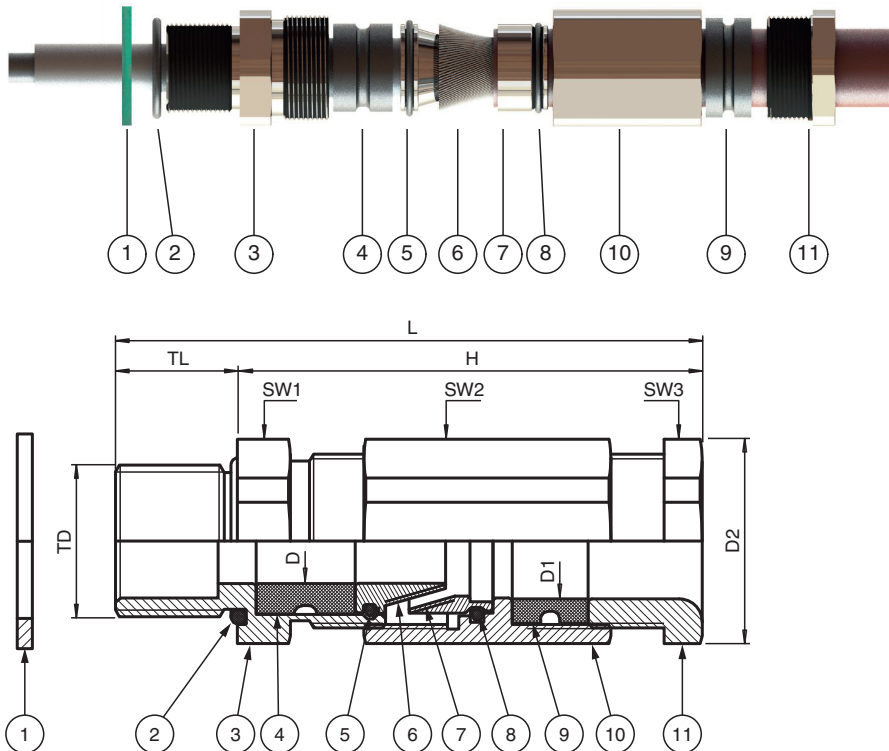
Cable Glands, Metal, for armored Cables

CG.AR.NPT3/4.BN.C.21.K10

- For armored cables
- Brass nickel-plated
- Thread NPT 3/4"
- Seal chloroprene
- Ex d, Ex e and Ex tb certified
- Suitable for operation in Zone 1, Zone 2, Zone 21 and Zone 22
- Suitable for operation in Class I, Zone 1/2/22
- Suitable for operation in Class I, Division 2 when installed in accordance with NEC501.10(B)(2)
- Degree of protection IP66 / IP68, UL Type 4X
- Packaging unit: 10 pieces, without accessories



Dimensions



Release date: 2024-07-18 Date of issue: 2024-07-18 Filename: 400821_eng.pdf

Refer to "General Notes Relating to Pepperl+Fuchs Product Information".

Pepperl+Fuchs Group
www.pepperl-fuchs.com

USA: +1 330 486 0002
pa-info@us.pepperl-fuchs.com

Germany: +49 621 776 2222
pa-info@de.pepperl-fuchs.com

Singapore: +65 6779 9091
pa-info@sg.pepperl-fuchs.com

PF PEPPERL+FUCHS

Dimensions

Details see data table

| Legend | |
|--------|---|
| 1 | Washer gasket (accessory) |
| 2 | O-Ring |
| 3 | Gland body basis |
| 4 | Inner seal insert for cable without armor |
| 5 | O-Ring |
| 6 | Armor cone |
| 7 | Armor tightening ring |
| 8 | O-Ring |
| 9 | Outer seal insert for cable including armor |
| 10 | Gland body |
| 11 | Pressure nut |
| | |
| D | Clamping range, cable diameter without armor at inner seal insert |
| D1 | Clamping range, cable sheath diameter with armor at outer seal insert |
| D2 | Width across corners |
| H | Length outside enclosure |
| L | Total length |
| SW* | Width across flats |
| TD | Thread size |
| TL | Thread length |

Technical Data

Mechanical specifications

| | |
|------------------------------|-------------------------------|
| Cable type | armored cables |
| Clamping range (D) | 10 ... 15.5 mm |
| Thread type | NPT ANSI ASME B1.20.1 |
| Thread size (TD) | NPT 3/4" |
| Degree of protection | IP66 / IP68 , UL Type 4X |
| Material | |
| Finish | inherent color silver |
| Cable gland | brass, nickel-plated |
| Washer gasket | aramid fibers bonded with NBR |
| O-Ring | chloroprene |
| Seal insert | chloroprene |
| Mass | |
| Individual component | approx. 195 g |
| Packing unit | approx. 2.15 kg |
| Dimensions | |
| Width across corners (D2) | 33 mm |
| Min. armor thickness | 0.4 mm |
| Max. armor thickness | 1.3 mm |
| Diameter cable sheath (D1) | 13.5 ... 21 mm |
| Diameter thru-hole (DT) | 26.7 ... 26.9 mm |
| Length outside enclosure (H) | 66 mm |
| Width across flats (SW1) | 30 mm |
| Width across flats (SW2) | 30 mm |
| Width across flats (SW3) | 30 mm |
| Thread length (TL) | 21 mm |

Release date: 2024-07-18 Date of issue: 2024-07-18 Filename: 400821_eng.pdf

Refer to "General Notes Relating to Pepperl+Fuchs Product Information".

Pepperl+Fuchs Group
www.pepperl-fuchs.com

USA: +1 330 486 0002
pa-info@us.pepperl-fuchs.com

Germany: +49 621 776 2222
pa-info@de.pepperl-fuchs.com

Singapore: +65 6779 9091
pa-info@sg.pepperl-fuchs.com

 PEPPERL+FUCHS

Technical Data

| | |
|--|--|
| Total length (L) | 87 mm |
| Tightening torque | |
| Nut torque at enclosure (SW1) | 6 Nm |
| Nut torque 2 (SW2) | 45 Nm |
| Nut torque 3 (SW3) | 35 Nm |
| Ambient conditions | |
| Ambient temperature | -40 ... 80 °C (-40 ... 176 °F) washer gasket -50 ... 80 °C (-58 ... 176 °F) |
| Data for application in connection with hazardous areas | |
| EU-type examination certificate | CESI 14 ATEX 033X |
| Marking | Ⓜ II 2 GD Ex d IIC Gb Ex e IIC Gb Ex tb IIIC Db |
| International approvals | |
| UL approval | |
| cULus | E490324 tested to UL 514B E490962 tested to UL 2225 CSA 60079-7 , CSA 60079-31 |
| IECEX approval | IECEX CES 14.0022X |
| UKCA approval | CML 22 UKEX 1266X |
| INMETRO approval | DNV 20.0028 X |
| CCoE approval | PESO A/P/HQ/KA/104/5575 (P418742) |
| IA approval | MASC MS/17-2357X |
| CCC approval | 2021312313000346 |
| Conformity | |
| Degree of protection | EN 60529 |
| General information | |
| Delivery quantity | 10 |
| Scope of delivery | Cable glands Brief instructions (1 copy) |
| Supplementary information | EC-Type Examination Certificate, Statement of Conformity, Declaration of Conformity, Attestation of Conformity and instructions have to be observed where applicable. For information see www.pepperl-fuchs.com . |