

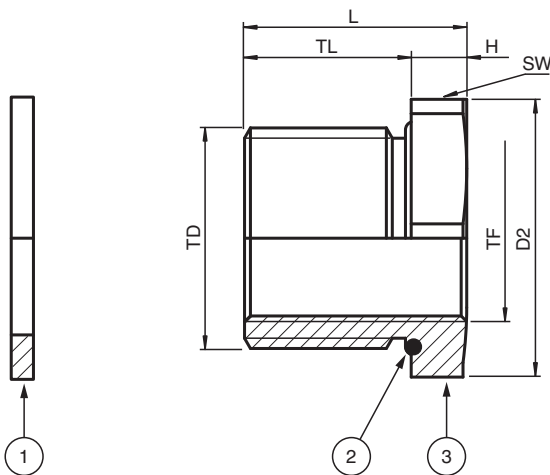
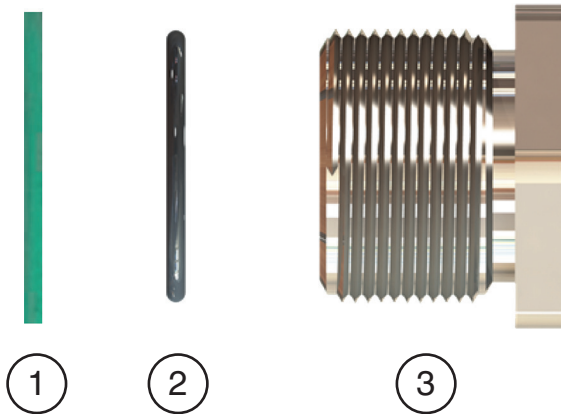
Adapter

AD.M25.M20.BN.C.15.K01

- Adapter male thread metric to female thread metric
- Brass nickel-plated
- Thread M25
- Thread M20
- Seal chloroprene
- Ex db, Ex eb and Ex tb certified
- Suitable for operation in Zone 1, Zone 2, Zone 21 and Zone 22
- Packaging unit: 1 piece, kit with accessories



Assembly



Release date: 2024-07-15 Date of issue: 2024-07-15 Filename: 400921_eng.pdf

Refer to "General Notes Relating to Pepperl+Fuchs Product Information".

Pepperl+Fuchs Group
www.pepperl-fuchs.com

USA: +1 330 486 0002
pa-info@us.pepperl-fuchs.com

Germany: +49 621 776 2222
pa-info@de.pepperl-fuchs.com

Singapore: +65 6779 9091
pa-info@sg.pepperl-fuchs.com

PF PEPPERL+FUCHS

Assembly

Details see data table

Legend	
1	Washer gasket (accessory, metric threads only)
2	O-Ring (metric threads only)
3	Adapter
DI	Diameter internal hole
D2	Width across corners
H	Length outside enclosure
L	Total length
SW*	Width across flats
TD	Thread size
TF	Thread size female
TL	Thread length
TLF	Thread length female

Technical Data

Mechanical specifications	
Thread type	metric ISO pitch 1.5 mm
Thread size (TD)	M25
Thread type female	metric ISO pitch 1.5 mm
Thread size female (TF)	M20
Degree of protection	IP66 / IP68
Material	
Finish	inherent color silver
Washer gasket	aramid fibers bonded with NBR
Adapter	brass, nickel-plated
O-Ring	chloroprene
Mass	
Individual component	approx. 66 g
Packing unit	approx. 86 g
Dimensions	
Width across corners (D2)	33 mm
Length outside enclosure (H)	4 mm
Width across flats (SW1)	30 mm
Thread length (TL)	15 mm
Thread length female (TLF)	19 mm
Total length (L)	19 mm
Tightening torque	
Nut torque at enclosure (SW1)	8.5 Nm
Ambient conditions	
Ambient temperature	-40 ... 100 °C (-40 ... 212 °F) washer gasket -40 ... 80 °C (-40 ... 176 °F)
Data for application in connection with hazardous areas	
EU-type examination certificate	CESI 15 ATEX 029X
Marking	⊕ II 2 GD Ex db IIC Gb Ex eb IIC Gb Ex tb IIIC Db
International approvals	
IECEX approval	IECEX CES 15.0006X
UKCA approval	CML 22 UKEX 1267X

Release date: 2024-07-15 Date of issue: 2024-07-15 Filename: 400921_eng.pdf

Refer to "General Notes Relating to Pepperl+Fuchs Product Information".

Pepperl+Fuchs Group
www.pepperl-fuchs.com

USA: +1 330 486 0002
pa-info@us.pepperl-fuchs.com

Germany: +49 621 776 2222
pa-info@de.pepperl-fuchs.com

Singapore: +65 6779 9091
pa-info@sg.pepperl-fuchs.com

 PEPPERL+FUCHS

Technical Data

CCoE approval	PESO A/P/HQ/KA/104/5579 (P420366)
CCC approval	2021312313000345
Conformity	
Degree of protection	EN 60529
General information	
Delivery quantity	1
Scope of delivery	Adapter locknut washer gasket Brief instructions
Supplementary information	EC-Type Examination Certificate, Statement of Conformity, Declaration of Conformity, Attestation of Conformity and instructions have to be observed where applicable. For information see www.pepperl-fuchs.com .

Release date: 2024-07-15 Date of issue: 2024-07-15 Filename: 400921_eng.pdf

Refer to "General Notes Relating to Pepperl+Fuchs Product Information".

Pepperl+Fuchs Group
www.pepperl-fuchs.com

USA: +1 330 486 0002
pa-info@us.pepperl-fuchs.com

Germany: +49 621 776 2222
pa-info@de.pepperl-fuchs.com

Singapore: +65 6779 9091
pa-info@sg.pepperl-fuchs.com