

# Deviation mirror

## SLA-1-M

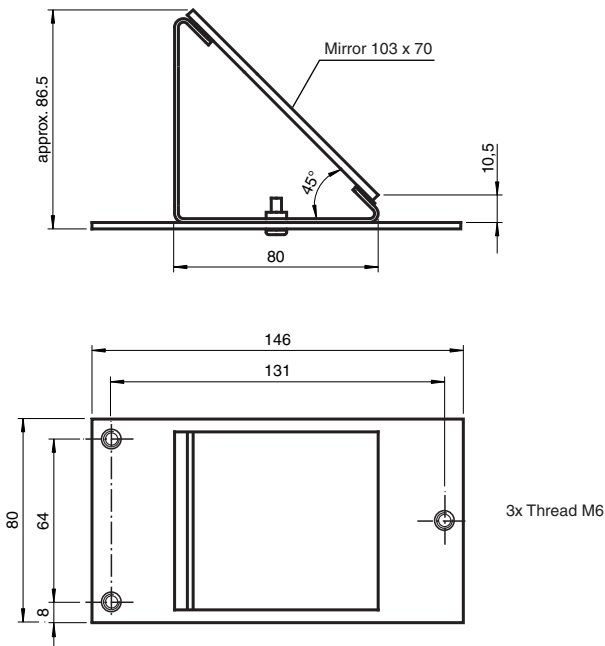


- Deflecting mirror for single-beam deflection of the protection beam of safety light beams in the SL and SLA series

Deviation mirror



### Dimensions



### Technical Data

#### Functional safety related parameters

Safety Integrity Level (SIL)	SIL 3
Performance level (PL)	PL e
Category	Cat. 4
Mission Time (T <sub>M</sub> )	20 a
PFH <sub>d</sub>	4.4 E-10

#### Ambient conditions

Storage temperature	-40 ... 85 °C (-40 ... 185 °F)
---------------------	--------------------------------

#### Mechanical specifications

Material	
----------	--

Release date: 2020-03-23 Date of issue: 2020-10-06 Filename: 406214\_eng.pdf

Refer to "General Notes Relating to Pepperl+Fuchs Product Information".

Pepperl+Fuchs Group  
www.pepperl-fuchs.com

USA: +1 330 486 0001  
fa-info@us.pepperl-fuchs.com

Germany: +49 621 776 1111  
fa-info@de.pepperl-fuchs.com

Singapore: +65 6779 9091  
fa-info@sg.pepperl-fuchs.com

**PF** PEPPERL+FUCHS

**Technical Data**

Housing	Metal sheet (steel), black-coated
<b>Suitable series</b>	
Safety Series	SLA

Release date: 2020-03-23 Date of issue: 2020-10-06 Filename: 406214\_eng.pdf

Refer to "General Notes Relating to Pepperl+Fuchs Product Information".

Pepperl+Fuchs Group  
www.pepperl-fuchs.comUSA: +1 330 486 0001  
fa-info@us.pepperl-fuchs.comGermany: +49 621 776 1111  
fa-info@de.pepperl-fuchs.comSingapore: +65 6779 9091  
fa-info@sg.pepperl-fuchs.com **PEPPERL+FUCHS**