

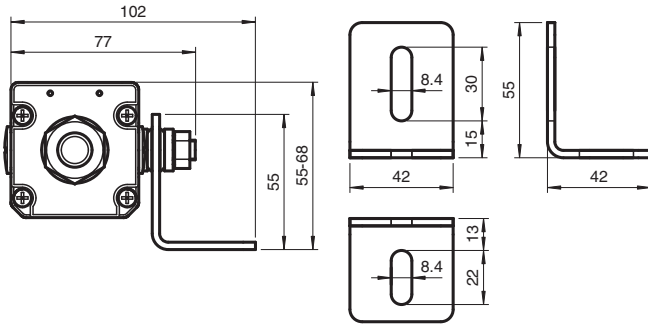
Mounting aid Safety MS SLC



Mounting bracket for Light grid



Dimensions



Technical Data

Ambient conditions

Storage temperature -40 ... 85 °C (-40 ... 185 °F)

Mechanical specifications

Material nickel-plated steel

Mounting Mounting accessories included

Suitable series

Safety Series SLC

Release date: 2020-03-23 Date of issue: 2020-10-06 Filename: 406518_eng.pdf

Refer to "General Notes Relating to Pepperl+Fuchs Product Information".

Pepperl+Fuchs Group
www.pepperl-fuchs.com

USA: +1 330 486 0001
fa-info@us.pepperl-fuchs.com

Germany: +49 621 776 1111
fa-info@de.pepperl-fuchs.com

Singapore: +65 6779 9091
fa-info@sg.pepperl-fuchs.com

PF PEPPERL+FUCHS