

Inductive analog sensor

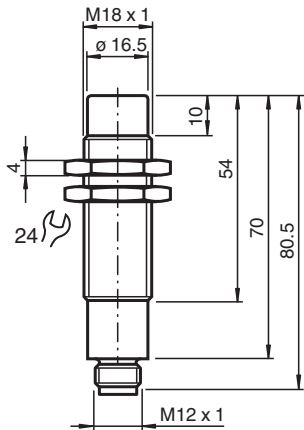
ANT2-8 2084/85 V1



- Inductive analog
- Output 0 V ... 10 V
- Output 0 mA ... 20 mA
- Non-flush mountable



Dimensions



Technical Data

General specifications

Output type	Analog current output or analog voltage output	
Installation	non-flush	
Output polarity	DC	
Measurement range	2 ... 8 mm	
Output type	3-wire	

Nominal ratings

Operating voltage	U_B	18 ... 30 V
Output signal	0 ... 20 mA 0 ... 10 V	
Reverse polarity protection	reverse polarity protected	
Linearity error	± 0.5 %	
Temperature drift	≤ 0.2 % / K v.E.	
Repeat accuracy	< 0.02 mm	
No-load supply current	I_0	≤ 16.25 mA
Load resistor	voltage output: $\geq 4,7$ k Ω current output: ≤ 200 Ω	

Electrical specifications

Linearity	± 5 % v.E.	
-----------	----------------	--

Compliance with standards and directives

Release date: 2024-05-28 Date of issue: 2024-06-07 Filename: 409633_eng.pdf

Refer to "General Notes Relating to Pepperl+Fuchs Product Information".

Pepperl+Fuchs Group
www.pepperl-fuchs.com

USA: +1 330 486 0001
fa-info@us.pepperl-fuchs.com

Germany: +49 621 776 1111
fa-info@de.pepperl-fuchs.com

Singapore: +65 6779 9091
fa-info@sg.pepperl-fuchs.com

 PEPPERL+FUCHS

Technical Data

Standard conformity	
Standards	EN IEC 60947-5-2
Approvals and certificates	
CCC approval	CCC approval / marking not required for products rated ≤36 V
Ambient conditions	
Ambient temperature	-25 ... 70 °C (-13 ... 158 °F)
Mechanical specifications	
Connection type	M12 x 1
Housing material	brass, nickel-plated
Sensing face	PBT
Degree of protection	IP67
Dimensions	
Length	70 mm
Diameter	18 mm

Connection

