

# Glass fiber optic

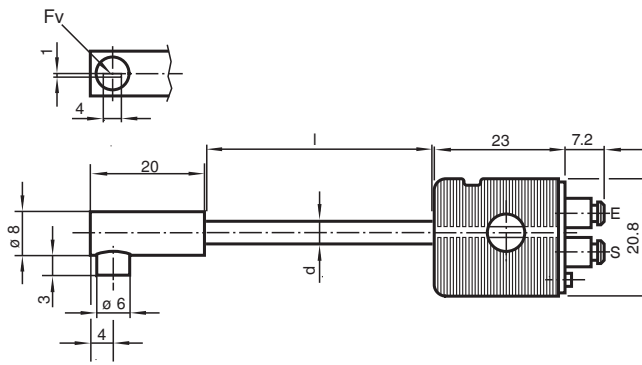
## LLR 04-1,6-1,5-QW 1X4



- Chemical-resistant
- Optical face across the direction of fiber

Glass fiber optic - diffuse with metal silicone covering

### Dimensions



### Technical Data

#### General specifications

Fiber optic length	l	1500 mm
Fiber optic diameter	d	7.3 mm
Adapter form		04
End piece		Thread / cylindrical right angle
Bending radius		min. 25 mm
Fiber bundle diameter		1 x 2.15 mm / optical face: 1 x 3.6 mm <sup>2</sup>
Fiber configuration	Fv	statistical mixed
Angle of divergence		approx. 69 °

#### Approvals and certificates

Approvals	CE
-----------	----

#### Ambient conditions

Ambient temperature	-20 ... 85 °C (-4 ... 185 °F) [Adapter] -40 ... 180 °C (-40 ... 356 °F) [End head and Covering]
Storage temperature	-20 ... 85 °C (-4 ... 185 °F)

#### Mechanical specifications

Degree of protection	IP65
----------------------	------

Release date: 2021-07-05 Date of issue: 2021-07-05 Filename: 415681\_eng.pdf

Refer to "General Notes Relating to Pepperl+Fuchs Product Information".

Pepperl+Fuchs Group  
www.pepperl-fuchs.com

USA: +1 330 486 0001  
fa-info@us.pepperl-fuchs.com

Germany: +49 621 776 1111  
fa-info@de.pepperl-fuchs.com

Singapore: +65 6779 9091  
fa-info@sg.pepperl-fuchs.com

**PF** PEPPERL+FUCHS

## Technical Data

<b>Material</b>	
Optical face	glass
Sheathing	Metal-silicon
Core	Glass fiber
End piece	Stainless steel 1.4305 / AISI 303
Adapter	PVC
Extraction force	at probe at 20°C: 120 N
<b>Fiber optic amplifiers</b>	
Device series	MLV41-LL

## Application

**Attention:**

Fiber optics must not be twisted or kinked. Excessive tensile loads will lead to destruction. Contact with petrol or organic solvents must be prevented.

