

Glass fiber optic

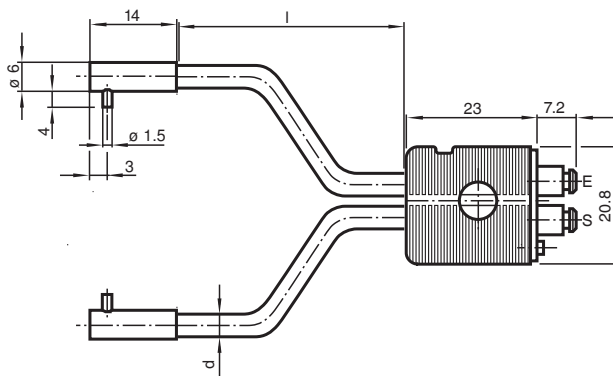
LME 04-0,8-0,5-WC4



- Sturdy metallic version
- Chemical-resistant

Glass fiber optic - thru-beam with metal covering

Dimensions



Technical Data

General specifications

Fiber optic length	l	500 mm
Fiber optic diameter	d	5 mm
Adapter form		04
End piece		Thread / cylindrical right angle
Bending radius		min. 16 mm
Fiber bundle diameter		1.1 mm optical face: 1.6 mm ²
Angle of divergence		approx. 68 °

Approvals and certificates

Approvals		CE
-----------	--	----

Ambient conditions

Ambient temperature		-20 ... 85 °C (-4 ... 185 °F) [Adapter] -50 ... 200 °C (-58 ... 392 °F) [End head and Covering]
Storage temperature		-20 ... 85 °C (-4 ... 185 °F)

Mechanical specifications

Degree of protection		IP40
Material		

Release date: 2021-07-07 Date of issue: 2021-07-07 Filename: 415946_eng.pdf

Refer to "General Notes Relating to Pepperl+Fuchs Product Information".

Pepperl+Fuchs Group
www.pepperl-fuchs.com

USA: +1 330 486 0001
fa-info@us.pepperl-fuchs.com

Germany: +49 621 776 1111
fa-info@de.pepperl-fuchs.com

Singapore: +65 6779 9091
fa-info@sg.pepperl-fuchs.com

PF PEPPERL+FUCHS

Technical Data

Optical face	glass
Sheathing	metal (1.4305 / AISI 303)
Core	Glass fiber
End piece	Stainless steel 1.4305 / AISI 303
Adapter	PVC
Extraction force	at probe at 20°C: 120 N
Fiber optic amplifiers	
Device series	MLV41-LL

Application

Attention:

Fiber optics must not be twisted or kinked. Excessive tensile loads will lead to destruction. Contact with petrol or organic solvents must be prevented.



Release date: 2021-07-07 Date of issue: 2021-07-07 Filename: 415946_eng.pdf

Refer to "General Notes Relating to Pepperl+Fuchs Product Information".

Pepperl+Fuchs Group
www.pepperl-fuchs.com

USA: +1 330 486 0001
fa-info@us.pepperl-fuchs.com

Germany: +49 621 776 1111
fa-info@de.pepperl-fuchs.com

Singapore: +65 6779 9091
fa-info@sg.pepperl-fuchs.com