



Model Number

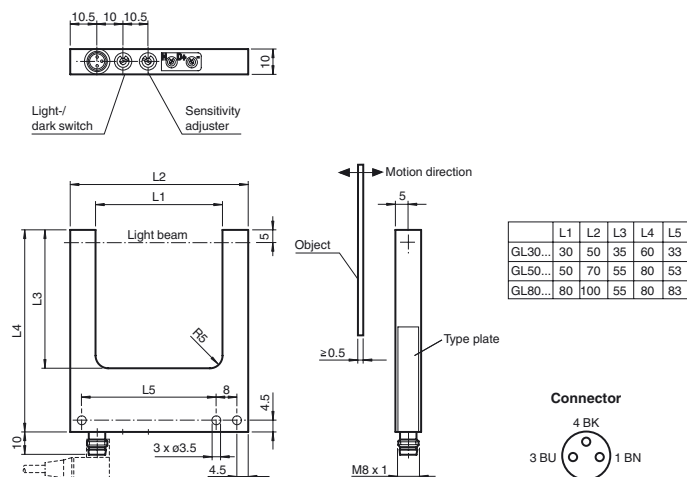
GL50-2276-IR

Photoelectric slot sensor
with 3-pin, M8 x 1 connector

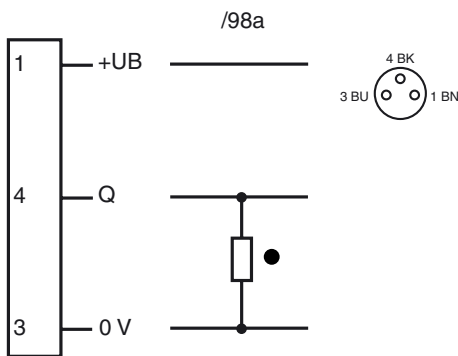
Features

- High switching frequency
- Sensitivity adjuster and light/dark switch as standard features of this series
- Infrared light
- Sturdy aluminum housing
- Degree of protection IP67

Dimensions



Electrical connection



- = Light on
- = Dark on

Release date: 2018-06-05 13:45 Date of issue: 2018-06-05 418714_eng.xml

Refer to "General Notes Relating to Pepperl+Fuchs Product Information".

Pepperl+Fuchs Group
www.pepperl-fuchs.com

USA: +1 330 486 0001
fa-info@us.pepperl-fuchs.com

Germany: +49 621 776 4411
fa-info@de.pepperl-fuchs.com

Singapore: +65 6779 9091
fa-info@sg.pepperl-fuchs.com

Technical data**General specifications**

Light source	IREC
Light type	modulated infrared light
Tests	EN 60947-5-2
Marking	CE
Target size	0.5 mm
Slot width	50 mm
Slot depth	55 mm
Ambient light limit	100000 Lux

Indicators/operating means

Function indicator	LED red in the connector plug, illuminates with free light beam
Control elements	Sensitivity adjuster, light/dark switch

Electrical specifications

Operating voltage	U_B	10 ... 30 V DC
Ripple		10 %
No-load supply current	I_0	20 mA

Output

Switching type	light/dark on	
Signal output	1 PNP output, short-circuit protected, reverse polarity protected, open collector	
Switching voltage	max. 30 V DC	
Switching current	max. 200 mA	
Switching frequency	f	350 Hz
Response time		1 ms

Ambient conditions

Ambient temperature	-20 ... 60 °C (-4 ... 140 °F)
Storage temperature	-20 ... 75 °C (-4 ... 167 °F)

Mechanical specifications

Degree of protection	IP67
Connection	M8 connector, 3-pin
Material	
Housing	Aluminum
Optical face	glass
Mass	60 g