



Model Number

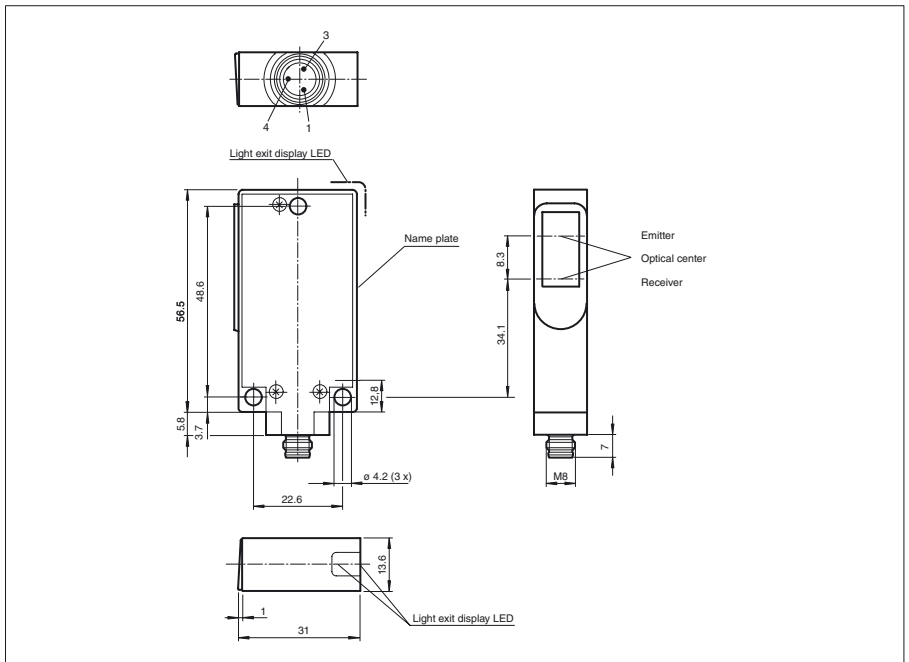
MLV40-54-G/32/98

Retroreflective sensor
with 3-pin, M8 x 1 connector

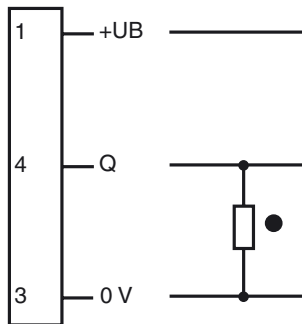
Features

- Sturdy aluminum housing
- Scratch-resistant and solvent resistant glass lens
- Pre-fault indication
- Detects transparent materials

Dimensions



Electrical connection



○ = Light on
● = Dark on

Pinout



Release date: 2012-09-04 10:15 Date of issue: 2012-09-04 418876_eng.xml

Subject to modifications without notice

Pepperl+Fuchs Group
www.pepperl-fuchs.com

USA: +1 330 486 0001
fa-info@us.pepperl-fuchs.com

Germany: +49 621 776-4411
fa-info@pepperl-fuchs.com

Copyright Pepperl+Fuchs
Singapore: +65 6779 9091
fa-info@sg.pepperl-fuchs.com

Technical data**General specifications**

Effective detection range	0 ... 400 mm
Reflector distance	0 ... 400 mm
Threshold detection range	1000 mm (with H60 reflector)
Light source	LED
Light type	modulated visible red light
Approvals	CE, cULus
Diameter of the light spot	approx. 20 mm at 400 mm detection range
Angle of divergence	approx. 3 °
Ambient light limit	75000 Lux

Indicators/operating means

Function display	LED green, lights up when light beam is free red LED when falling short of the stability control
Controls	sensitivity adjustment
Controls	Light/Dark switch

Electrical specifications

Operating voltage	U_B	10 ... 30 V DC
Ripple		5 %
No-load supply current	I_0	40 mA

Output

Switching type	light/dark on	
Signal output	1 PNP output, short-circuit protected, reverse polarity protected, open collector	
Switching voltage	max. 30 V DC	
Switching current	max. 200 mA	
Switching frequency	f	500 Hz
Response time		1 ms

Standard conformity

Standards	EN 60947-5-2
-----------	--------------

Ambient conditions

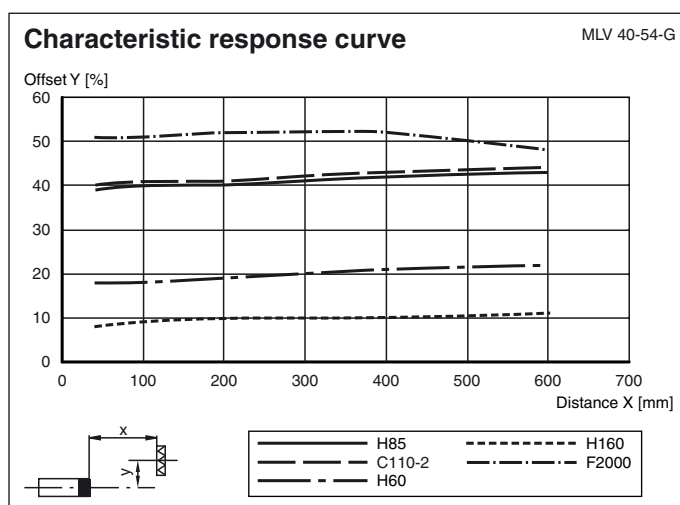
Ambient temperature	-20 ... 60 °C (-4 ... 140 °F)
Storage temperature	-20 ... 75 °C (-4 ... 167 °F)

Mechanical specifications

Protection degree	IP65
Connection	M8 connector, 3-pin
Material	
Housing	aluminum
Optical face	glass
Mass	100 g

Approvals and certificates

CCC approval Products with a maximum operating voltage of ≤ 36 V do not bear a CCC marking because they do not require approval.

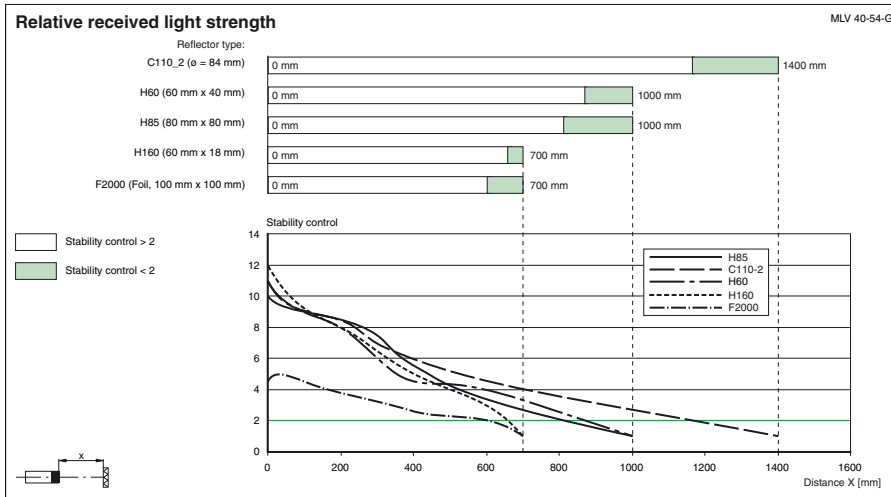
Curves/Diagrams**Accessories****V3-GM-2M-PUR**

Cable socket, M8, 3-pin, PUR cable

V3-WM-2M-PUR

Cable socket, M8, 3-pin, PUR cable

Other suitable accessories can be found at www.pepperl-fuchs.com



Release date: 2012-09-04 10:15 Date of issue: 2012-09-04 4 18876_eng.xml