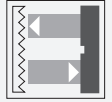




Retroreflective sensor RLK91-6-IR/31/59/115



- Retroreflective sensor for single-beam closing edge protection
- Narrow housing suitable for small gaps
- Sturdy plastic housing
- Various possibilities for mounting
- Version with infrared light
- AC version

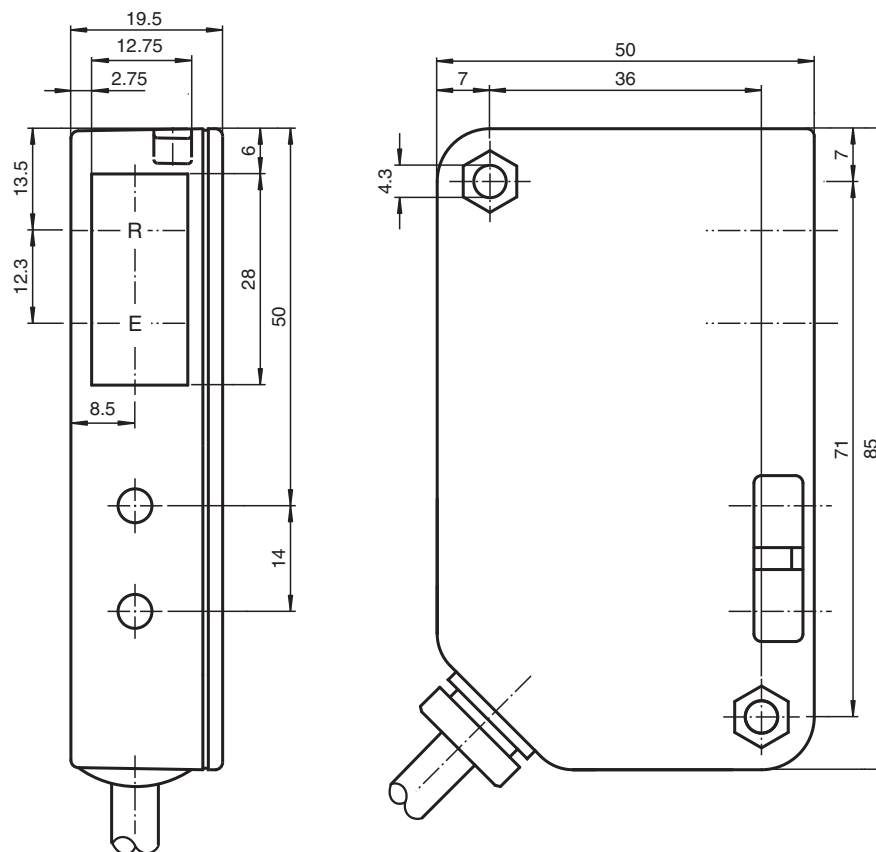
Mid-range photoelectric sensors for detecting people, objects, and vehicles



Function

Concentration on the essentials is the hallmark of the 91 series. As AC sensor, these economical, reliable and easy-to-use photoelectric sensors can be used almost universally. Their narrow design means that they can be used in any environment. The single-beam photoelectric sensors of the 91 series are suitable for closing-edge monitoring for elevators, barriers and doors, as well as for object detection and object tracking in material handling systems.

Dimensions



Technical Data

General specifications

Effective detection range	0 ... 6 m
Reflector distance	0 ... 6 m
Threshold detection range	9 m
Reference target	H85-2 reflector
Light source	LED
Light type	modulated infrared light
Diameter of the light spot	approx. 230 mm at a distance of 6000 mm
Angle of divergence	approx. 2.5 °
Ambient light limit	90000 Lux

Functional safety related parameters

MTTF _d	1083.4 a
-------------------	----------

Indicators/operating means

Function indicator	LED red, flashes when falling short of the stability control
--------------------	--

Electrical specifications

Rated operating voltage	U _e	96 ... 240 V AC
Power consumption	P ₀	12 VA
Contact ratings	according to UL 508 1/8 HP, 1.9 FLA, 240 V AC, Pilot Duty Code D150 6,000 1.5 FLA, 120 V AC, Pilot Duty 30,000 0.8 FLA, 240 V AC, Pilot Duty 30,000	

Output

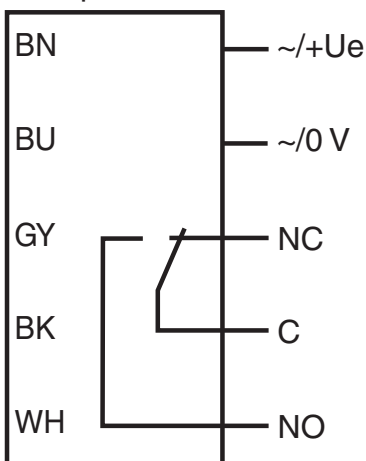
Switching type	dark-on
----------------	---------

Technical Data

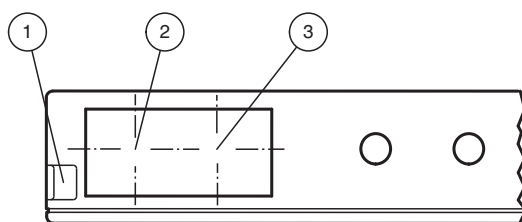
Signal output		Weak current relay, 1 alternator
Switching voltage		max. 240 V AC
Switching current		2.5 A / 240 V AC
Switching power		max. 120 W / 600 VA
Switching frequency	f	25 Hz
Response time		20 ms
Conformity		
Product standard		EN 60947-5-2
Approvals and certificates		
EAC conformity		TR CU 020/2011 TR CU 004/2011
UL approval		cULus Listed For overcurrent protection, install a fuse with a rated current of max. 5 A and min. 240 V AC
CCC approval		Certified by China Compulsory Certification (CCC)
Ambient conditions		
Ambient temperature		-20 ... 55 °C (-4 ... 131 °F)
Storage temperature		-20 ... 75 °C (-4 ... 167 °F)
Mechanical specifications		
Degree of protection		IP65
Connection		5 m fixed cable
Material		
Housing		Luran®
Optical face		Luran®
Mass		100 g

Connection Assignment

Option:



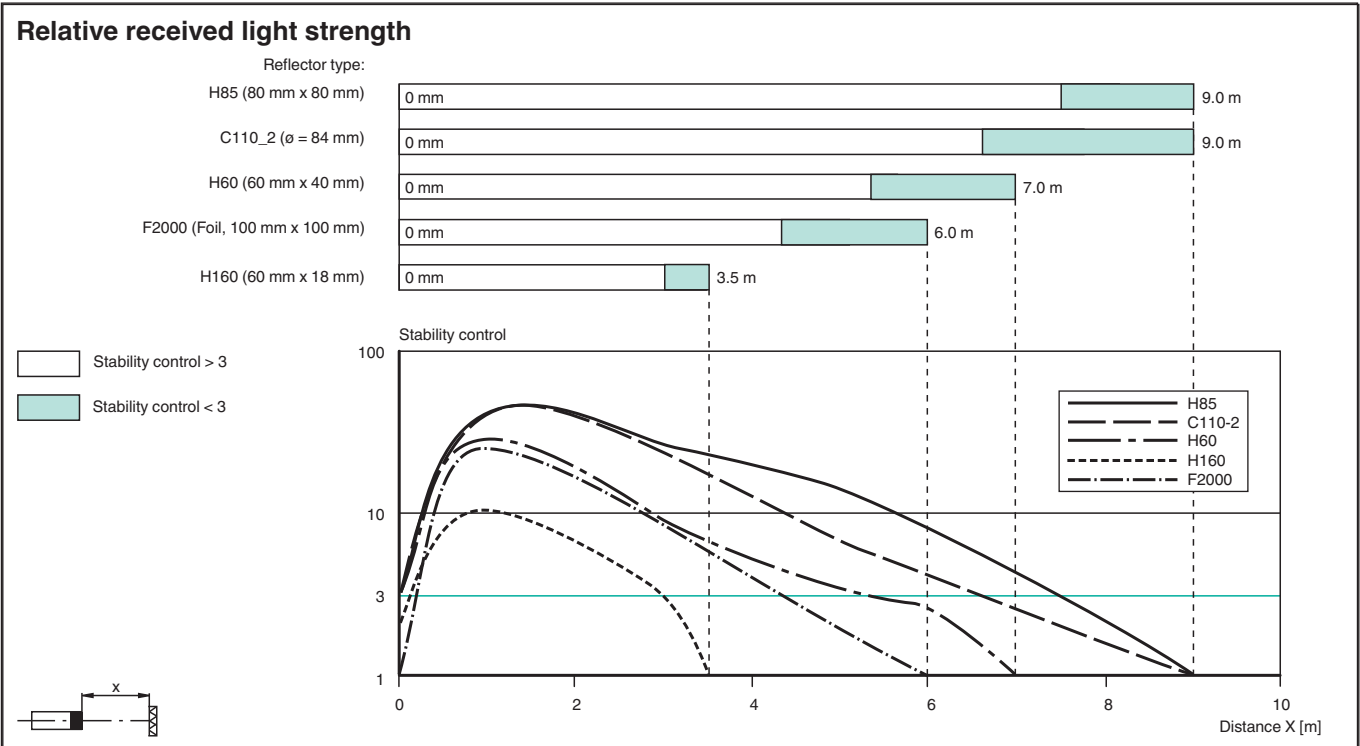
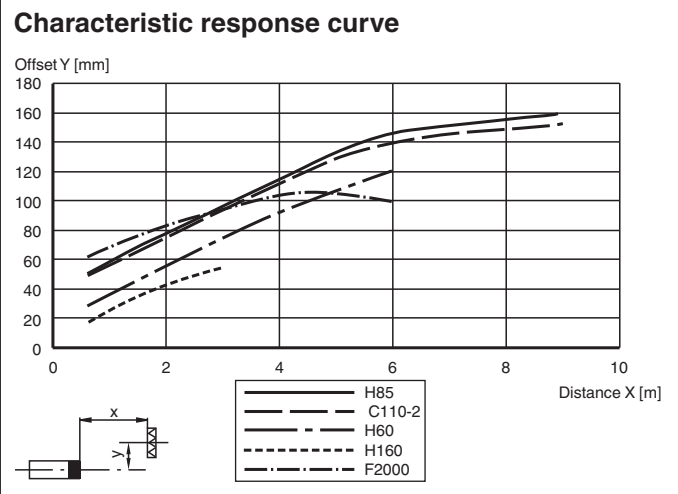
Assembly



1	Functional display	red
2	Optical axis Receiver	
3	Optical axis Transmitter	

Release date: 2021-01-15 Date of issue: 2021-01-15 Filename: 419073_eng.pdf

Characteristic Curve



Application



Release date: 2021-01-15 Date of issue: 2021-01-15 Filename: 419073_eng.pdf

Refer to "General Notes Relating to Pepperl+Fuchs Product Information".

Accessories

	OMH-91	Mounting bracket
	REF-H50	Reflector, rectangular 51 mm x 61 mm, mounting holes, fixing strap
	REF-H60-2	Reflector with mounting holes
	REF-H85-2	Reflector, rectangular 84.5 mm x 84.5 mm, mounting holes
	REF-H160	Reflector, rectangular 60 mm x 18 mm, mounting holes
	REF-H180	Reflector, rectangular 182 mm x 42 mm, mounting holes
	REF-C110-2	Reflector, round \varnothing 84 mm, central mounting hole
	OFR-100/100	Reflective tape 100 mm x 100 mm
	Reflector Weather Cap	Weather hood for series reflector

System Description

The retro-reflective sensor contains both an emitter and a receiver in a single housing. A reflector reflects the light from emitter back to the receiver. If an object interrupts the light beam, the switching function is initiated.

Application

- Closing-edge monitoring for elevators, barriers and industrial doors
- Detecting and tracking objects in material handling