



Background suppression sensor

RLK23-8-H-1000-IR/31/74a

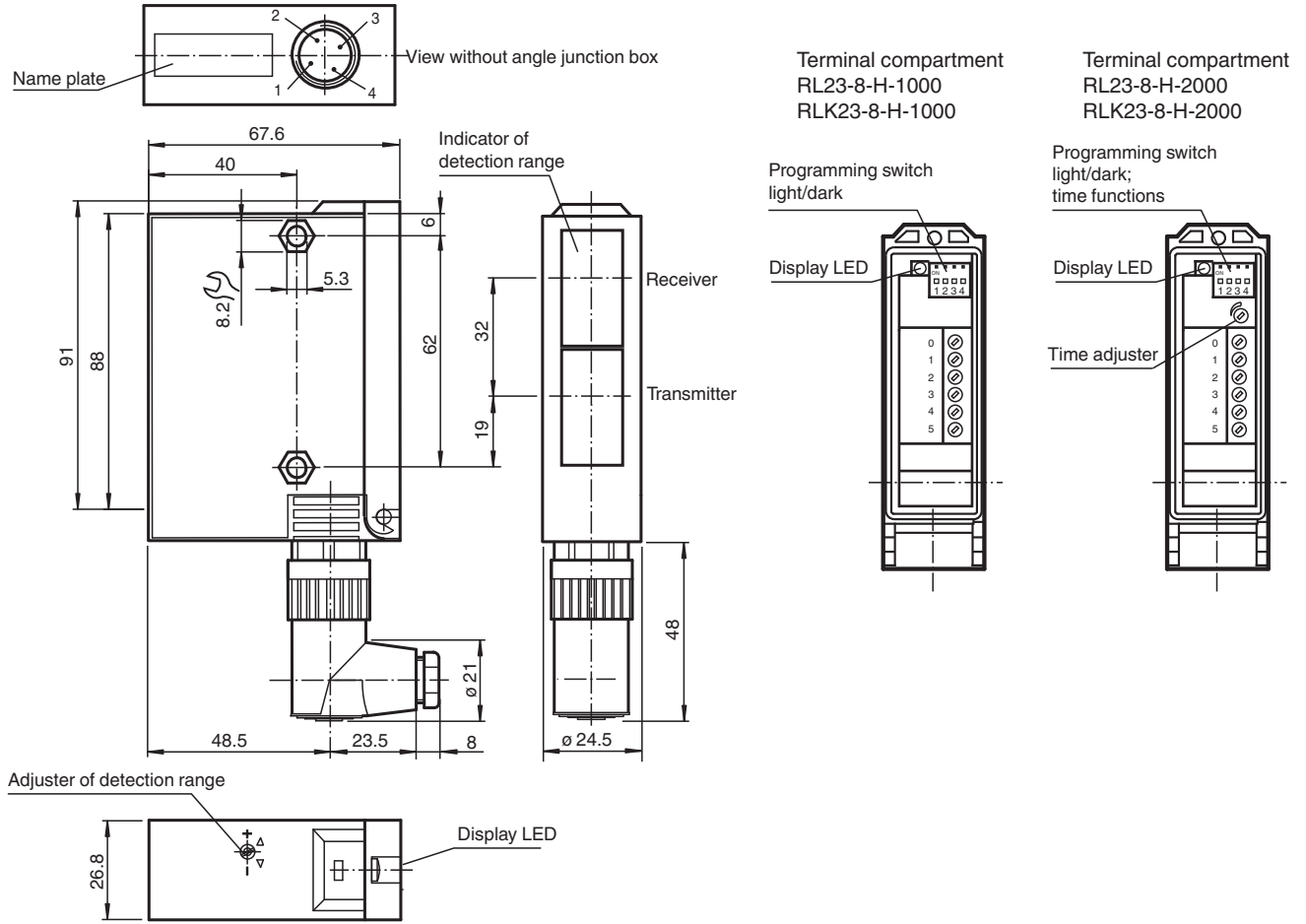
- Adjustable background suppression
- Infrared light
- Sturdy plastic housing
- Optical surface made of scratch-resistant glass

Background suppression sensor



Release date: 2024-02-01 Date of issue: 2024-02-02 Filename: 419488_eng.pdf

Dimensions



Technical Data

General specifications	
Detection range	50 ... 1000 mm
Detection range min.	50 ... 150 mm
Detection range max.	50 ... 1000 mm
Light source	IRED
Light type	modulated infrared light
Black-white difference (6%/90%)	< 10 %
Diameter of the light spot	25 mm at 1000 mm sensor range
Opening angle	1.5 °
Ambient light limit	12000 Lux
Functional safety related parameters	
MTTF _d	850 a
Mission Time (T _M)	20 a
Diagnostic Coverage (DC)	0 %
Indicators/operating means	
Function indicator	LED yellow, lights up with receiver lit
Control elements	Programming switch for light/dark switching
Control elements	Sensing range adjuster
Electrical specifications	
Operating voltage	U _B 12 ... 240 V AC/DC (automatic adaption to +UB)
Power consumption	P ₀ 3 VA
Output	

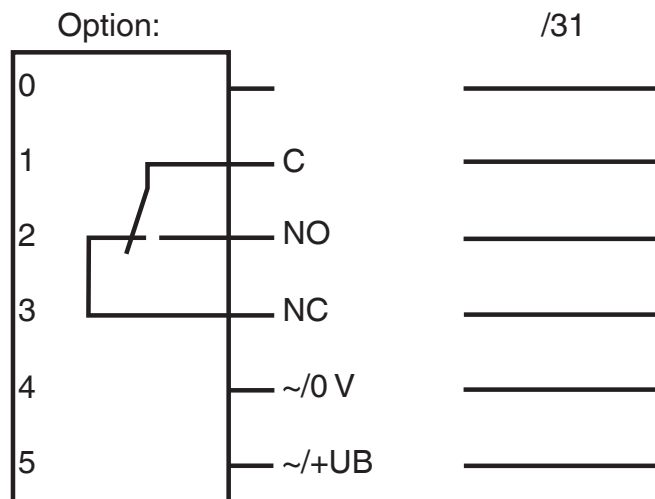
Release date: 2024-02-01 Date of issue: 2024-02-02 Filename: 419488_eng.pdf

Refer to "General Notes Relating to Pepperl+Fuchs Product Information".

Technical Data

Switching type		light/dark on
Signal output		1 relay output, 1 alternator
Switching voltage		max. 240 V AC
Switching current		max. 2 A
Switching frequency	f	10 Hz
Response time		50 ms
Conformity		
Product standard		EN 60947-5-2
Approvals and certificates		
EAC conformity		TR CU 020/2011 TR CU 004/2011
UL approval		cULus
CCC approval		Certified by China Compulsory Certification (CCC)
Ambient conditions		
Ambient temperature		-20 ... 60 °C (-4 ... 140 °F)
Storage temperature		-20 ... 75 °C (-4 ... 167 °F)
Mechanical specifications		
Degree of protection		IP65
Connection		Connector M18 x 1, 4-pin with unwired angled cable socket
Material		
Housing		Terluran® GV15
Optical face		glass
Mass		180 g
Dimensions		
Height		91 mm
Width		26.8 mm
Depth		67.6 mm

Connection Assignment



Release date: 2024-02-01 Date of issue: 2024-02-02 Filename: 419488_eng.pdf

Refer to "General Notes Relating to Pepperl+Fuchs Product Information".

Pepperl+Fuchs Group
www.pepperl-fuchs.com

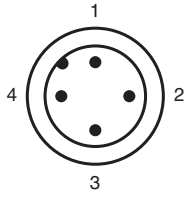
USA: +1 330 486 0001
fa-info@us.pepperl-fuchs.com

Germany: +49 621 776 1111
fa-info@de.pepperl-fuchs.com

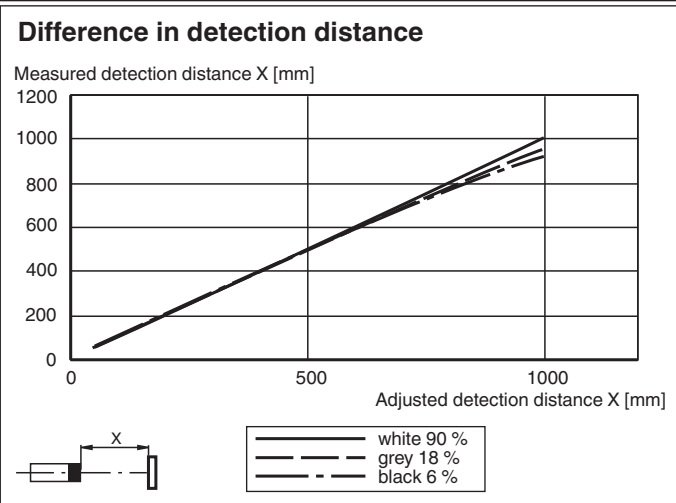
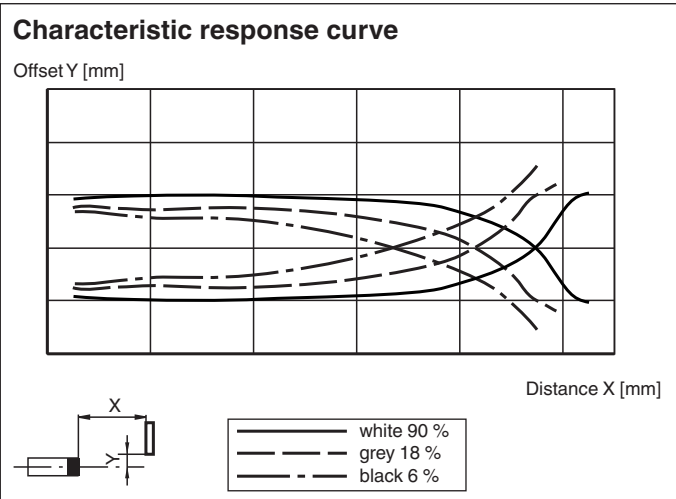
Singapore: +65 6779 9091
fa-info@sg.pepperl-fuchs.com

PF PEPPERL+FUCHS

Connection Assignment



Characteristic Curve



Release date: 2024-02-01 Date of issue: 2024-02-02 Filename: 419488_eng.pdf

Refer to "General Notes Relating to Pepperl+Fuchs Product Information".

Light-on/dark-on changeover switch

<p>ON 1 2 3 4</p>	<p>Dark on</p>
<p>ON 1 2 3 4</p>	<p>Light on</p>

Release date: 2024-02-01 Date of issue: 2024-02-02 Filename: 419488_eng.pdf

Refer to "General Notes Relating to Pepperl+Fuchs Product Information".

Pepperl+Fuchs Group
www.pepperl-fuchs.com

USA: +1 330 486 0001
fa-info@us.pepperl-fuchs.com

Germany: +49 621 776 1111
fa-info@de.pepperl-fuchs.com

Singapore: +65 6779 9091
fa-info@sg.pepperl-fuchs.com