



Model Number

GLV18-8-KKP-1379/25/32/33

Diffuse mode sensor
with fixed cable

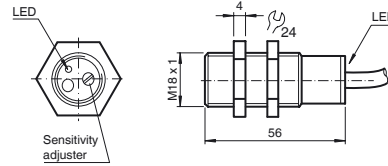
Features

- Plastic housing in cylindrical shape M18 x 1
- Short version: 56 mm

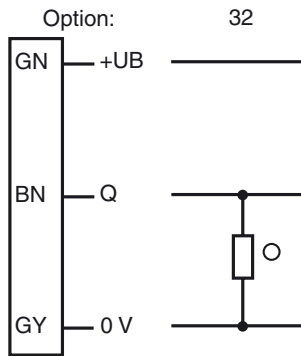
Product information

The GLV/GLK18 series sensors help improve the efficiency of machines and systems. The design of the M18 plastic housing, the connection technology, and sensor properties are highly standardized. Concentrating on the key sensor requirements has produced a robust and reliable product series for DC and AC/DC voltage systems without any over-engineering. The mounting set included in the scope of delivery and the optimized potentiometer design ensure fast assembly and easy configuration.

Dimensions



Electrical connection



- = Light on
- = Dark on

Release date: 2012-01-25 16:39 Date of issue: 2012-01-25 421463_eng.xml

Technical data**General specifications**

Detection range	30 ... 180 mm , adjustable
Reference target	Kodak white
Light source	IRED
Light type	modulated infrared light
Approvals	CE
Optical face	frontal
Hysteresis	H 10 mm ± 20 %

Indicators/operating means

Function display	LED red: object inside the scanning range
Controls	sensitivity adjustment

Electrical specifications

Operating voltage	U_B	10 ... 30 V DC
Ripple		10 %
No-load supply current	I_0	< 30 mA

Output

Switching type	light on
Signal output	1 PNP output, short-circuit protected, protected from reverse polarity, open collector
Switching voltage	30 V DC
Switching current	max. 200 mA
Switching frequency	f 350 Hz
Response time	5 ms

Standard conformity

Standards	EN 60947-5-2
-----------	--------------

Ambient conditions

Ambient temperature	-20 ... 60 °C (-4 ... 140 °F)
Storage temperature	-20 ... 75 °C (-4 ... 167 °F)

Mechanical specifications

Protection degree	IP65
Connection	fixed cable 360 mm
Material	
Housing	plastic
Optical face	glass
Mass	100 g