



Model Number

MLV11-54-G-AS-I/112

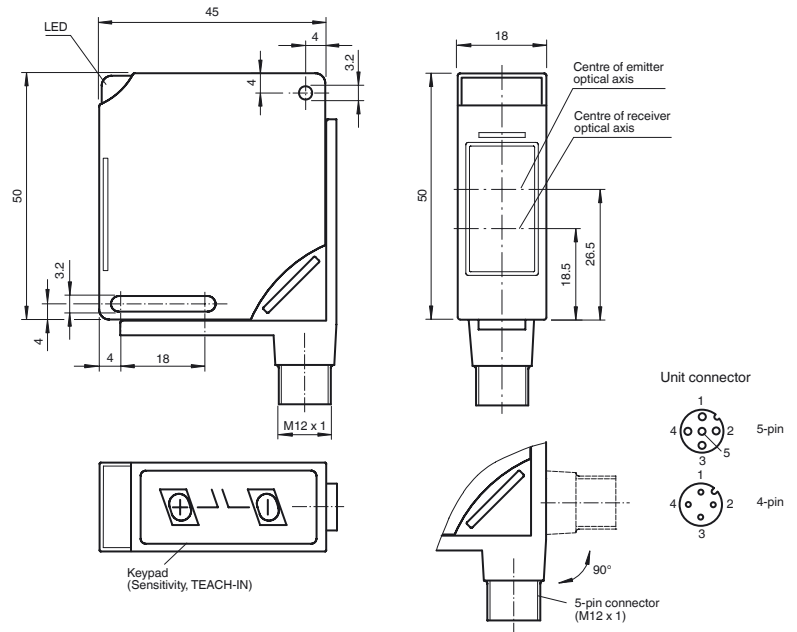
Retroreflective sensor with AS-Interface with 4-pin M12 connector, 90° adjustable position

Features

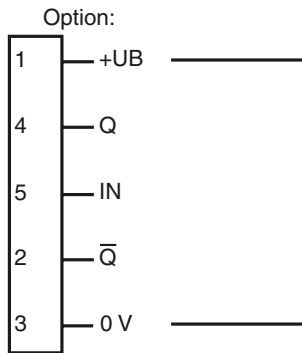
- Sensing range up to 3 m
- AS-Interface
- Detects transparent objects, i.e., clear glass, PET and transparent films
- Glare protected with polarization filter
- Visible red light
- Pre-fault indication and output (dynamic and static)
- Automatic adjustment of sensitivity per TEACH-IN
- Parameterization via optical communication link (e.g. optional time increments)
- Degree of protection IP68
- All materials approved for food industry applications
- Multifunction input

Release date: 2019-08-23 12:42 Date of issue: 2019-08-23 421588_eng.xml

Dimensions



Electrical connection



- = Light on
- = Dark on

Refer to "General Notes Relating to Pepperl+Fuchs Product Information".

Technical data**General specifications**

Effective detection range	0.1 ... 2 m
Reflector distance	600 ... 3000 mm
Threshold detection range	3 m
Reference target	H60 reflector
Light source	LED
Light type	modulated visible red light
Polarization filter	yes
Diameter of the light spot	100 mm at a distance of 3000 mm
Ambient light limit	10000 Lux

Indicators/operating means

Operation indicator	LED green
Function indicator	Teach-In: LED green flashing switching state: LED yellow pre-fault indicator: LED red flashing
Control elements	membrane keys for setting sensitivity and Teach-In

Electrical specifications

Operating voltage	U_B	via AS-Interface network
Time delay before availability	t_v	≤ 80 ms

Output

Switching type	light/dark on	
Signal output	AS-Interface	
Switching current	≤ 35 mA	
Switching frequency	f	≤ 1000 Hz
Response time	≤ 0.5 ms	
Timer function	programmable	

Standard conformity

Standards	EN 60947-5-2
-----------	--------------

Ambient conditions

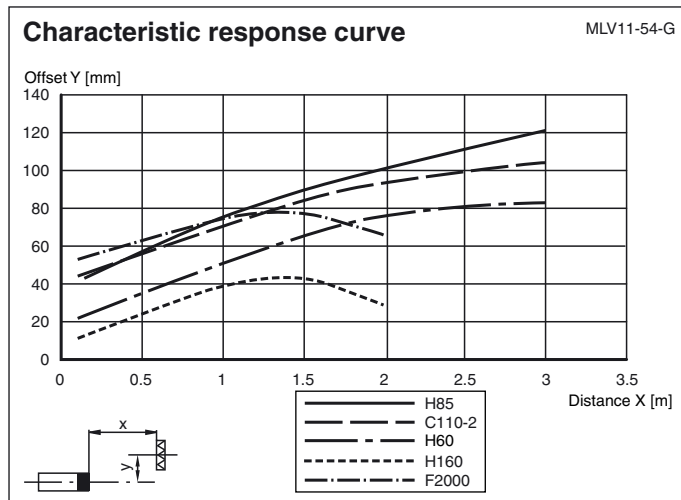
Ambient temperature	-25 ... 70 °C (-13 ... 158 °F)
Storage temperature	-40 ... 70 °C (-40 ... 158 °F)

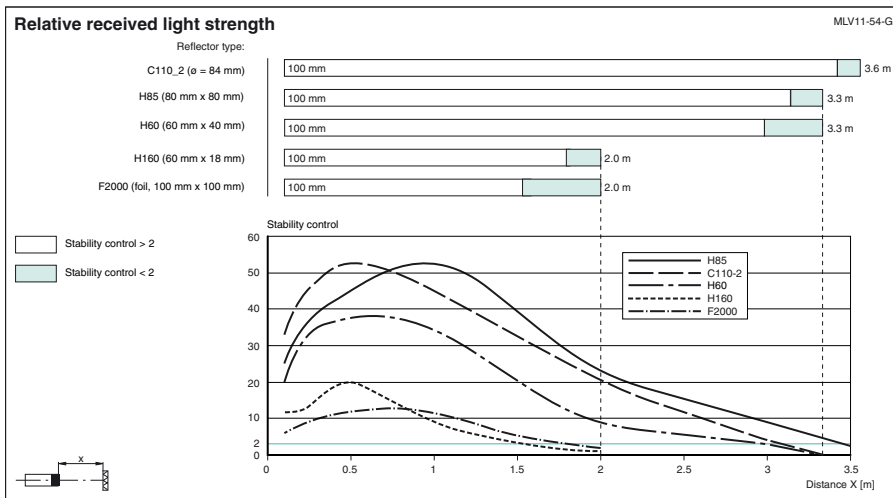
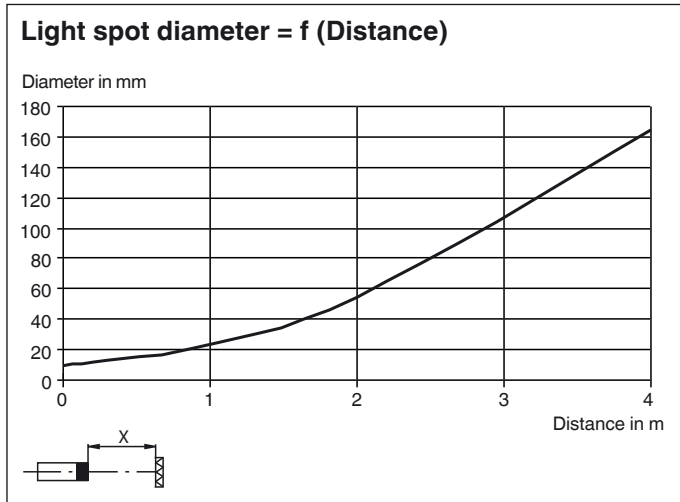
Mechanical specifications

Housing width	18 mm
Housing height	50 mm
Housing depth	45 mm
Degree of protection	IP68
Connection	4-pin M12 x 1 connector, 90° adjustable
Material	
Housing	PBT
Optical face	scratch resistant plastic lens
Connector	AlSi
Mass	60 g

Approvals and certificates

Approvals	CE
-----------	----

Curves/Diagrams



AS-Interface programming

Address preset to 00, can be changed via Busmaster or programming devices
 IO code 1
 ID code F

• **Data bit**

Bit	Function
D0	switch output
D1	pre-fault indication (0=ON, 1=OFF)
D2	antivalent switch output
D3	function input

• **Parameter bit**

Bit	Function
P0	not used
P1	not used
P2	not used
P3	not used

Release date: 2019-08-23 12:42 Date of issue: 2019-08-23 421588_eng.xml

Refer to "General Notes Relating to Pepperl+Fuchs Product Information".