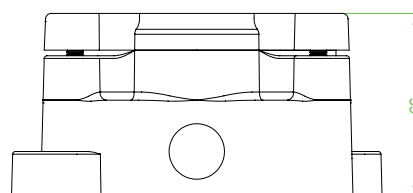
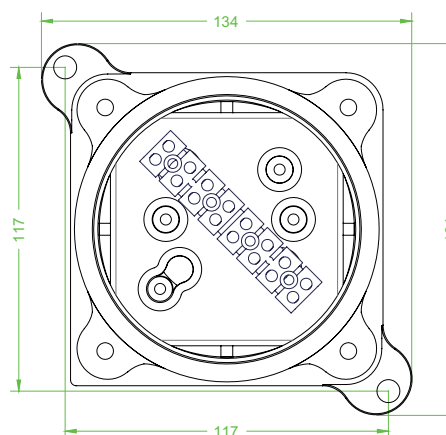


Features

- 8 Terminals, capacity 2.5 mm² each
- 134 mm x 134 mm x 66 mm
- Cast Iron
- Installation in Zone 1, Zone 2, Zone 21 and Zone 22
- Threaded cable entries
- Ex d certified

Dimensions (mm)



Technical data

Electrical specifications

Number of terminals	8
Terminal capacity	2.5 mm ²

Mechanical specifications

Height	134 mm
Width	134 mm
Depth	66 mm
Cover fixing	M6 stainless steel socket cap head screws
Protection degree	IP65
Cable entry	metric threaded
Number of cable entries	1 x M20 in face A 1 x M20 in face B 1 x M20 in face C 1 x M20 in face D 3 entries plugged with Ex d sealing plugs

Material


Enclosure	cast iron
Finish	zinc rich epoxy powder primer plus epoxy powder top coat - black
Seal	silicone O-ring
Mass	approx. 3.5 kg
Grounding	base - internal/external Ex e brass clamps

Ambient conditions

Ambient temperature	-40 ... 55 °C (-40 ... 131 °F)
---------------------	--------------------------------

Data for application in connection with Ex-areas

EC-Type Examination Certificate	SIRA 02 ATEX 1311
---------------------------------	-------------------

Group, category, type of protection, temperature class	 II 2 GD Ex d IIC T6 Gb, Ex tb IIIC T80 °C Db (ta ... +55°C) Ex d IIC T5 Gb, Ex tb IIIC T95°C Db (ta ... +55°C) Ex d IIC T4 Gb, Ex tb IIIC T130°C Db (ta ... +55°C)
Maximum power dissipation	T6 = 5W T5 = 15W T4 = 20W
International approvals	
IECEX approval	IECEX SIR 08.0062
GOST-R approval	GOST-R B00997
Conformity	
Protection degree	EN 60529
General information	
Supplementary information	EC-Type Examination Certificate, Statement of Conformity, Declaration of Conformity, Attestation of Conformity and instructions have to be observed where applicable. For information see www.pepperl-fuchs.com .