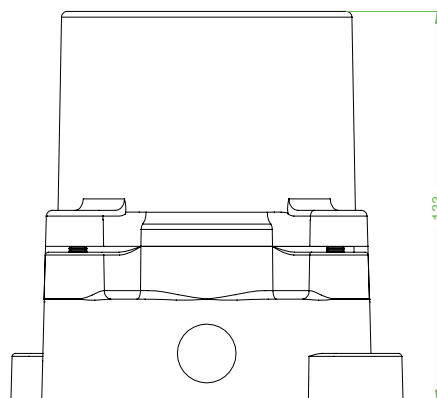
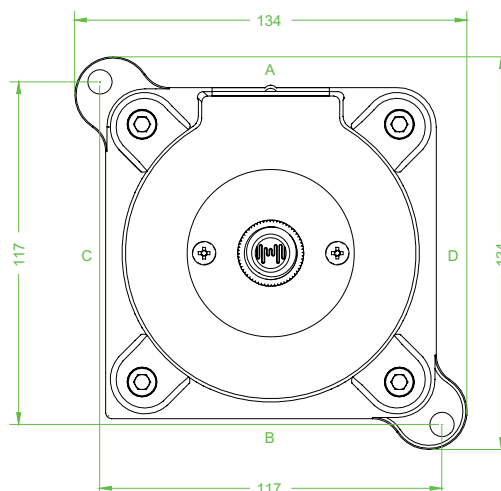




Features

- Switching ON at 70 Lux, OFF at 35 Lux
- 134 mm x 134 mm x 133 mm
- Cast Iron
- Installation in Zone 1, Zone 2, Zone 21 and Zone 22
- Threaded cable entries
- Ex d certified

Dimensions (mm)



Technical data

Electrical specifications

Operating voltage	240 V
Power consumption	0.25 W
Terminal capacity	2.5 mm ²
Function	photocell
Switching configuration	photocell - sealed silicone photo diode
Switching threshold	on 70 lux off 35 lux
Switching load	3 x 400 W max.

Mechanical specifications

Height	134 mm
Width	134 mm
Depth	133 mm
Cover fixing	M6 stainless steel socket cap head screws
Degree of protection	IP65
Cable entry	metric threaded
Number of cable entries	1 x M20 in face A 1 x M20 in face B all entries are fitted with Ex d sealing plugs

Material

Enclosure	cast iron
Glass	toughened glass
Finish	zinc rich epoxy powder primer plus epoxy powder top coat
Seal	silicone O-ring
Mass	approx. 5.1 kg
Grounding	internal & external brass grounding terminals on base

Ambient conditions

Ambient temperature	-40 ... 55 °C (-40 ... 131 °F)
---------------------	--------------------------------

Release date 2014-06-06 14:18 Date of issue 2014-06-06 435741_eng.xml

Refer to "General Notes Relating to Pepperl+Fuchs Product Information".

Pepperl+Fuchs Group
www.pepperl-fuchs.com

USA: +1 330 486 0002
pa-info@us.pepperl-fuchs.com

Germany: +49 621 776 2222
pa-info@de.pepperl-fuchs.com

Singapore: +65 6779 9091
pa-info@sg.pepperl-fuchs.com

Data for application in connection with Ex-areas	
EC-Type Examination Certificate	SIRA 02 ATEX 1314
Group, category, type of protection, temperature class	⊕ II 2 GD Ex d IIC T6 Gb, Ex tb IIIC T80 °C Db (ta ... +50°C) Ex d IIC T5 Gb, Ex tb IIIC T95°C Db (ta ... +55°C)
International approvals	
IECEX approval	IECEX SIR 08.0065
GOST-R approval	GOST-R B00997
Conformity	
Degree of protection	EN 60529
General information	
Supplementary information	EC-Type Examination Certificate, Statement of Conformity, Declaration of Conformity, Attestation of Conformity and instructions have to be observed where applicable. For information see www.pepperl-fuchs.com .