

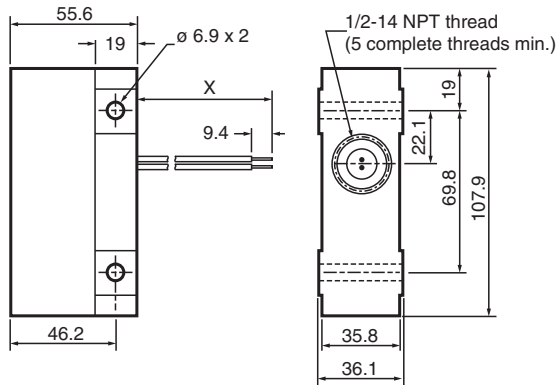
Magnetic field sensor

20FR1-6B

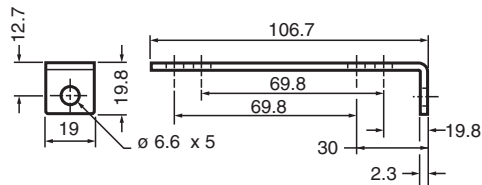
- Magnetically actuated reed switch
- Hermetically sealed contacts
- Heavy duty Aluminum housings

Dimensions

20FR



Mounting bracket (included)



Technical Data

General specifications

Switching function		Normally open (NO)
Output type		Reed Contact
Rated operating distance	s_n	61 mm
Installation		non-flush
Mechanical life		1 x 10 ⁷ switching cycles

Release date: 2020-03-23 Date of issue: 2020-03-30 Filename: 450010_eng.pdf

Refer to "General Notes Relating to Pepperl+Fuchs Product Information".

Pepperl+Fuchs Group
www.pepperl-fuchs.com

USA: +1 330 486 0001
fa-info@us.pepperl-fuchs.com

Germany: +49 621 776 1111
fa-info@de.pepperl-fuchs.com

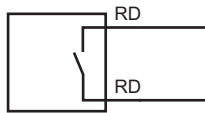
Singapore: +65 6779 9091
fa-info@sg.pepperl-fuchs.com

PF PEPPERL+FUCHS

Technical Data

Nominal ratings		
Operating voltage	U_B	250 V DC, 1.0 A max, 15 W
Hysteresis	H	15.2 mm
Release point		≤ max. 76 mm
Ambient conditions		
Ambient temperature		-25 ... 85 °C (-13 ... 185 °F)
Mechanical specifications		
Connection type		cable PVC , 1.83 m
Core cross-section		16 AWG
Housing material		aluminum
Sensing face		aluminum
Degree of protection		IP68
Material		
Activation target		21FR1-B

Connection



Accessories

	21FR1-B	
---	----------------	--

Application

Temperature Effects

Temperature must be taken into consideration when using magnetically operated switches. The sensing ranges given on the following pages are for head-on operations at room temperature (75° F). Sub-zero temperatures can cause permanently reduced sensitivity. Use the following table as a guide for potential sensitivity loss.

Model	Maximum possible sensitivity loss
20FR1-6B	2.03 mm
20FR3-6B	1.52 mm
20FR4-6B	1.52 mm
20FR5-6B	4.95 mm