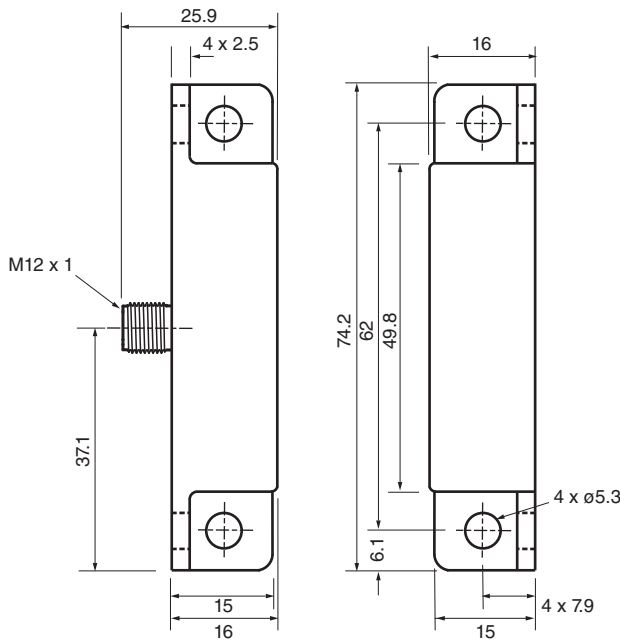


Magnetic field sensor

40FR1-33

- Magnetically actuated reed switch
- AC/DC compatibility
- Hermetically sealed contacts
- Matching permanent magnet

Dimensions



Technical Data

General specifications

Switching function		Normally open (NO)
Output type		Reed Contact
Rated operating distance	s_n	19.8 mm
Installation		non-flush
Output polarity		AC/DC
Mechanical life		3×10^7 operations

Nominal ratings

Operating voltage	U_B	100 V DC, 250 mA 115 V AC, 250 mA
Hysteresis	H	≥ 2.54 mm
Contact resistance		0.15 Ω

Release date: 2020-03-24 Date of issue: 2020-03-30 Filename: 450022_eng.pdf

Refer to "General Notes Relating to Pepperl+Fuchs Product Information".

Pepperl+Fuchs Group
www.pepperl-fuchs.com

USA: +1 330 486 0001
fa-info@us.pepperl-fuchs.com

Germany: +49 621 776 1111
fa-info@de.pepperl-fuchs.com

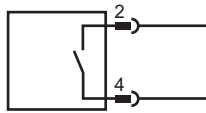
Singapore: +65 6779 9091
fa-info@sg.pepperl-fuchs.com

PF PEPPERL+FUCHS

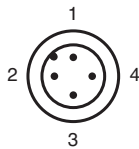
Technical Data

Insulation resistance	min. 100 MΩ at 200 V
Dielectric strength	200 V AC, 60 Hz
Release point	≤ max. 43 mm
Electrical specifications	
Electrical rating	AC supply: 10 VA, 132 V AC, 750 mA DC supply: 10 W, 100 V DC, 300 mA
Ambient conditions	
Ambient temperature	-40 ... 125 °C (-40 ... 257 °F)
Mechanical specifications	
Housing material	Polycarbonate
Sensing face	Polycarbonate
Degree of protection	IP68

Connection





Connection Assignment



Wire colors in accordance with EN 60947-5-2

1	BN	(brown)
2	WH	(white)
3	BU	(blue)
4	BK	(black)

Accessories

	41FR2	
	V1-G-2M-PVC	Female cordset, M12, 4-pin, PVC cable