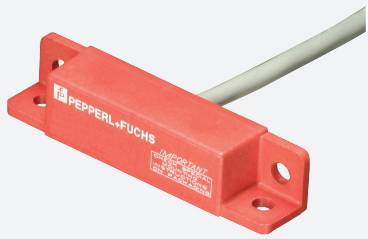


Magnetic field sensor

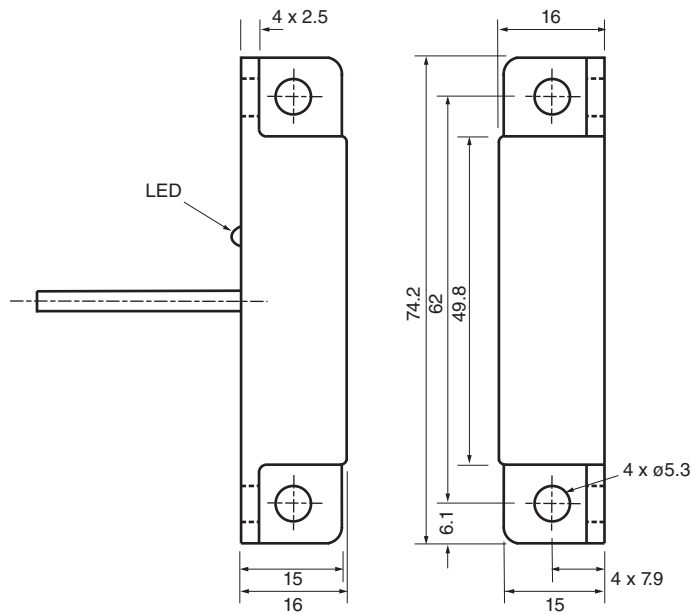
40FY26-020



- Hall Effect Sensor
- Door Interrupt Sensor
- Tamper resistant magnetic actuator



Dimensions



Technical Data

General specifications

Switching function		Normally open (NO)
Output type		PNP
Rated operating distance	s_n	Use either 41FY1 - 6.4 - 15.2 mm or 41FY2 - 7.6 - 19 mm
Installation		non-flush
Output polarity		DC

Nominal ratings

Operating voltage	U_B	10 ... 30 V DC
Hysteresis	H	5 ... 25 %
Short-circuit protection		yes
Voltage drop	U_d	≤ 2.5 V DC
Repeat accuracy		+/- 3 %

Release date: 2020-04-09 Date of issue: 2020-09-03 Filename: 450030_eng.pdf

Refer to "General Notes Relating to Pepperl+Fuchs Product Information".

Pepperl+Fuchs Group
www.pepperl-fuchs.com

USA: +1 330 486 0001
fa-info@us.pepperl-fuchs.com

Germany: +49 621 776 1111
fa-info@de.pepperl-fuchs.com

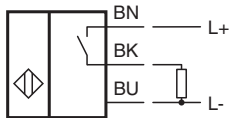
Singapore: +65 6779 9091
fa-info@sg.pepperl-fuchs.com

PF PEPPERL+FUCHS



Technical Data

Operating current	I_L	≤ 200 mA
Off-state current	I_r	≤ 30 mA
No-load supply current	I_0	≤ 40 mA
Indicators/operating means		
LED indicator		switching state
Electrical specifications		
Electrical rating		10 - 30 V DC
Compliance with standards and directives		
Standard conformity		
Standards		EN 60947-5-2:2007 IEC 60947-5-2:2007
Approvals and certificates		
UL approval		cULus Listed, General Purpose
CSA approval		cCSAus Listed, General Purpose
Ambient conditions		
Ambient temperature		-30 ... 85 °C (-22 ... 185 °F)
Mechanical specifications		
Connection type		cablE PVC , 2 m
Core cross-section		0.34 mm ²
Housing material		Polycarbonate
Sensing face		Polycarbonate
Degree of protection		IP67

Connection



Accessories

	41FY1	
	41FY2	