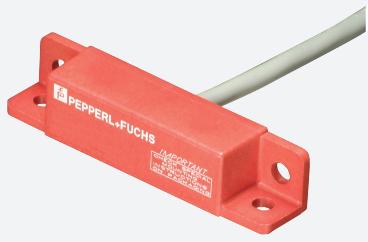


Magnetic field sensor

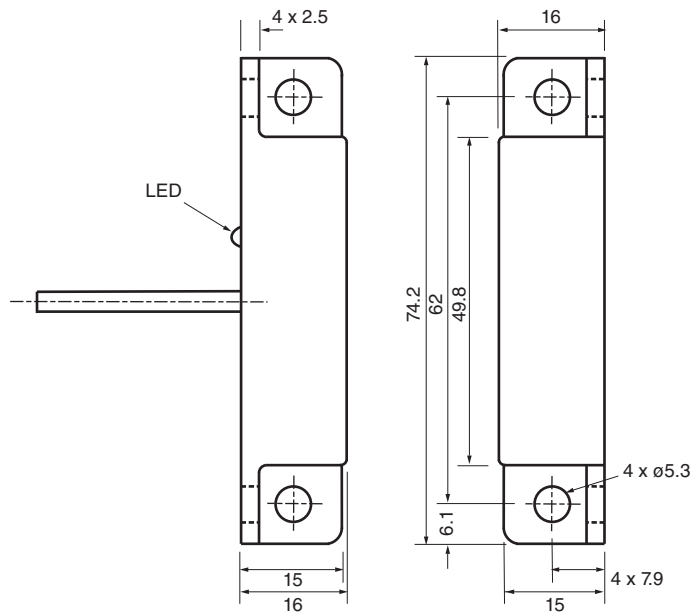
40FY28-020



- Hall Effect Sensor
- Door Interrupt Sensor
- Tamper resistant magnetic actuator



Dimensions



Technical Data

General specifications

Switching function		Normally open (NO)
Output type		NPN
Rated operating distance	s_n	Use either 41FY1 - 6.4 - 15.2 mm or 41FY2 - 7.6 - 19 mm
Installation		non-flush
Output polarity		DC
Output type		3-wire

Nominal ratings

Operating voltage	U_B	10 ... 30 V DC
Hysteresis	H	5 ... 25 %
Short-circuit protection		yes

Release date: 2024-10-17 Date of issue: 2024-10-17 Filename: 450032_eng.pdf

Refer to "General Notes Relating to Pepperl+Fuchs Product Information".

Pepperl+Fuchs Group
www.pepperl-fuchs.com

USA: +1 330 486 0001
fa-info@us.pepperl-fuchs.com

Germany: +49 621 776 1111
fa-info@de.pepperl-fuchs.com

Singapore: +65 6779 9091
fa-info@sg.pepperl-fuchs.com

PEPPERL+FUCHS

Technical Data

Voltage drop	U_d	≤ 2.5 V DC
Repeat accuracy		+/- 3 %
Operating current	I_L	≤ 200 mA
Off-state current	I_r	≤ 30 mA
No-load supply current	I_0	≤ 40 mA
Indicators/operating means		
LED indication		switching state
Electrical specifications		
Electrical rating		10 - 30 V DC
Compliance with standards and directives		
Standard conformity		
Standards		EN IEC 60947-5-2
Approvals and certificates		
UL approval		cULus Listed, General Purpose
Ambient conditions		
Ambient temperature		-30 ... 85 °C (-22 ... 185 °F)
Mechanical specifications		
Connection type		cable
Housing material		Polycarbonate
Sensing face		Polycarbonate
Degree of protection		IP67
Cable		
Material		PVC
Core cross section		0.34 mm ²
Length	L	2 m
Dimensions		
Width		16 mm
Depth		16 mm
Length		74.2 mm

Connection

