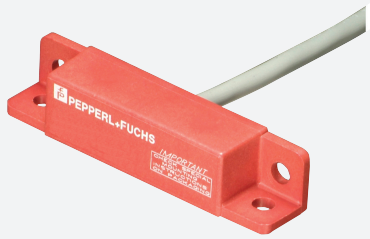


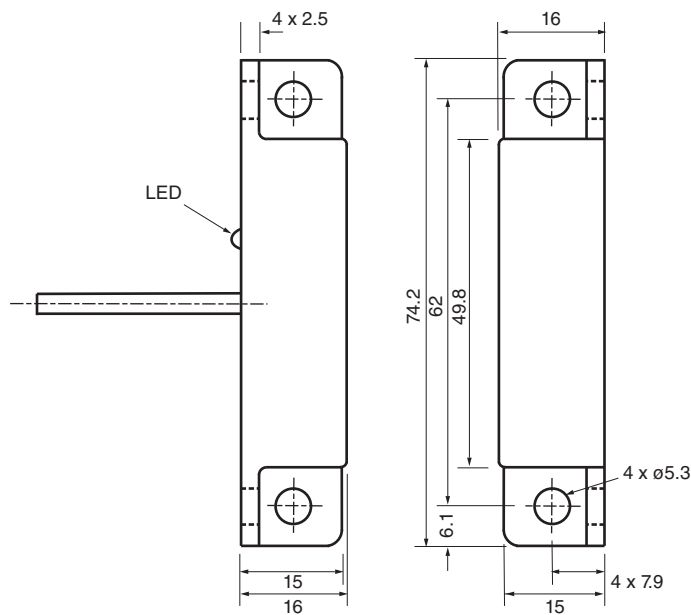
Magnetic field sensor

40FY36-020



- Hall Effect Sensor
- Door Interrupt Sensor
- Tamper resistant magnetic actuator

Dimensions



Technical Data

General specifications

Switching function		Normally open (NO)
Output type		Two-wire
Rated operating distance	s_n	Use either 41FY1 - 6.4 - 15.2 mm or 41FY2 - 7.6 - 19 mm
Installation		non-flush
Output polarity		AC

Nominal ratings

Operating voltage	U_B	93 ... 132 V AC
Hysteresis	H	5 ... 25 %
Voltage drop	U_d	6 V at 500 mA

Release date: 2020-03-23 Date of issue: 2020-03-30 Filename: 450036_eng.pdf

Refer to "General Notes Relating to Pepperl+Fuchs Product Information".

Pepperl+Fuchs Group
www.pepperl-fuchs.com

USA: +1 330 486 0001
fa-info@us.pepperl-fuchs.com

Germany: +49 621 776 1111
fa-info@de.pepperl-fuchs.com

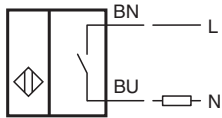
Singapore: +65 6779 9091
fa-info@sg.pepperl-fuchs.com

PF PEPPERL+FUCHS



Technical Data

Momentary current (20 ms, 0.1 Hz)		1.2 A
Repeat accuracy		+/- 3 %
Operating current	I_L	max. 500 mA
Off-state current	I_r	≤ 1.5 mA
Indicators/operating means		
LED indicator		switching state
Electrical specifications		
Electrical rating		93 - 132 V AC
Ambient conditions		
Ambient temperature		-30 ... 85 °C (-22 ... 185 °F)
Mechanical specifications		
Connection type		cable PVC , 2 m
Core cross-section		0.34 mm ²
Housing material		PBT
Sensing face		PBT
Degree of protection		IP67

Connection



Accessories

	41FY1
	41FY2