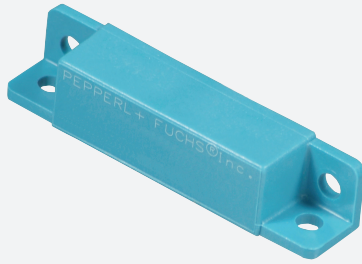


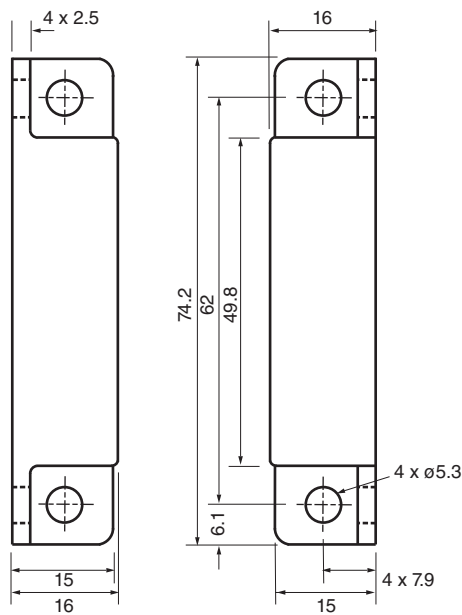
Magnetic actuator

41FR2



- Magnet Actuator
- Compatible with 40FR1.. Series

Dimensions



Technical Data

Nominal ratings

Switching state indicator	NO contact
---------------------------	------------

Ambient conditions

Ambient temperature	-40 ... 125 °C (-40 ... 257 °F)
---------------------	---------------------------------

Mechanical specifications

Housing material	Polycarbonate
Sensing face	Polycarbonate
Degree of protection	IP68
Note	ALNICO magnet

Release date: 2020-03-24 Date of issue: 2020-03-30 Filename: 450045_eng.pdf

Refer to "General Notes Relating to Pepperl+Fuchs Product Information".

Pepperl+Fuchs Group
www.pepperl-fuchs.com

USA: +1 330 486 0001
fa-info@us.pepperl-fuchs.com

Germany: +49 621 776 1111
fa-info@de.pepperl-fuchs.com

Singapore: +65 6779 9091
fa-info@sg.pepperl-fuchs.com

 PEPPERL+FUCHS