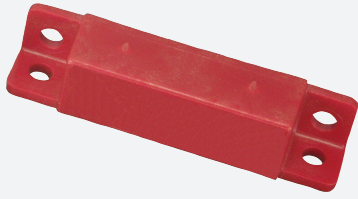


Magnetic Actuation

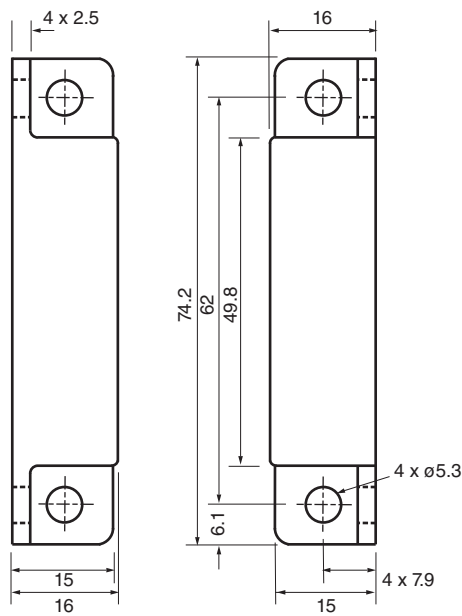
41FY2



- Magnet Actuator
- Compatible with 40FY Series



Dimensions



Technical Data

General specifications

Rated operating distance	S_n	8 ... 19 mm
--------------------------	-------	-------------

Nominal ratings

Switching state indicator	NO contact
---------------------------	------------

Standard conformity

Standards	EN 60947-5-2
-----------	--------------

Approvals and certificates

UL approval	cULus Listed, General Purpose
-------------	-------------------------------

Ambient conditions

Ambient temperature	-30 ... 70 °C (-22 ... 158 °F)
---------------------	--------------------------------

Mechanical specifications

Release date: 2023-12-18 Date of issue: 2023-12-18 Filename: 450047_eng.pdf

Refer to "General Notes Relating to Pepperl+Fuchs Product Information".

Pepperl+Fuchs Group
www.pepperl-fuchs.com

USA: +1 330 486 0001
fa-info@us.pepperl-fuchs.com

Germany: +49 621 776 1111
fa-info@de.pepperl-fuchs.com

Singapore: +65 6779 9091
fa-info@sg.pepperl-fuchs.com

 PEPPERL+FUCHS

Technical Data

Housing material	Polycarbonate
Sensing face	Polycarbonate
Degree of protection	IP67

Release date: 2023-12-18 Date of issue: 2023-12-18 Filename: 450047_eng.pdf

Refer to "General Notes Relating to Pepperl+Fuchs Product Information".

Pepperl+Fuchs Group
www.pepperl-fuchs.comUSA: +1 330 486 0001
fa-info@us.pepperl-fuchs.comGermany: +49 621 776 1111
fa-info@de.pepperl-fuchs.comSingapore: +65 6779 9091
fa-info@sg.pepperl-fuchs.com **PEPPERL+FUCHS**