

Magnetic field sensor

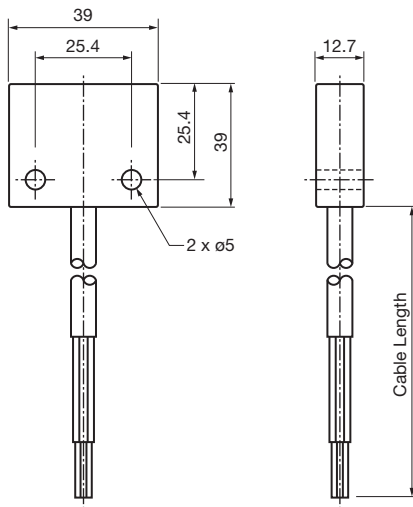
50FY41-12



- Hall Effect Sensor
- Sensing range 2.5 mm
- 4-wire DC



Dimensions



Technical Data

General specifications

Switching function		Normally open (NO)
Output type		PNP/NPN
Rated operating distance	s_n	2.5 mm @ 0 mm offset, 1.3 mm @ 4.4 mm offset, 0 mm @ 7.5 mm offset
Installation		non-flush
Output polarity		DC
Output type		4-wire

Nominal ratings

Operating voltage	U_B	10 ... 12 V
Short-circuit protection		NO
Voltage drop	U_d	7 V @ 10 K load, 12 V supply
Operating current	I_L	0.5 mA

Release date: 2020-03-23 Date of issue: 2020-03-30 Filename: 450065_eng.pdf

Refer to "General Notes Relating to Pepperl+Fuchs Product Information".

Pepperl+Fuchs Group
www.pepperl-fuchs.com

USA: +1 330 486 0001
fa-info@us.pepperl-fuchs.com

Germany: +49 621 776 1111
fa-info@de.pepperl-fuchs.com

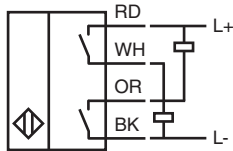
Singapore: +65 6779 9091
fa-info@sg.pepperl-fuchs.com

 PEPPERL+FUCHS


Technical Data

Current consumption	20 mA
Compliance with standards and directives	
Standard conformity	
Standards	EN 60947-5-2:2007 IEC 60947-5-2:2007
Ambient conditions	
Ambient temperature	-40 ... 85 °C (-40 ... 185 °F)
Mechanical specifications	
Connection type	cable PVC , 4 m
Core cross-section	0.34 mm ²
Housing material	Polysulphone
Sensing face	Polysulphone
Degree of protection	IP67
Note	Only approved for use with FYQLA1-140R-3, KE5D2-6H/2R-S and KE5A5-6H/2R-S Use only with actuator 52FY31


Connection



Matching system components

	KE5D2-6H/2R-S	Safety Monitor
---	----------------------	----------------

Accessories

	52FY31	
---	---------------	--