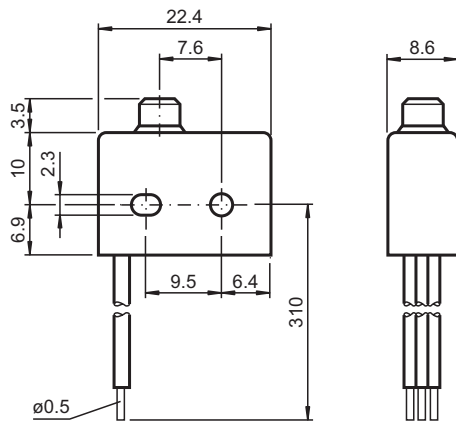


Inductive sensor 922FS2.5-A9P-SE

Dimensions



Technical Data

General specifications			
Rated operating distance	s_n		2.5 mm
Output type			3-wire
Nominal ratings			
Operating voltage	U_B		10 ... 60 V
Switching frequency	f		400 Hz
Operating current	I_L		0 ... 100 mA
Functional safety related parameters			
MTTF _d			2305 a
Mission Time (T _M)			20 a
Diagnostic Coverage (DC)			0 %
Compliance with standards and directives			
Standard conformity			
Standards			EN 60947-5-2:2007 IEC 60947-5-2:2007
Ambient conditions			
Ambient temperature			-25 ... 70 °C (-13 ... 158 °F)

Release date: 2022-11-03 Date of issue: 2022-11-03 Filename: 450193_eng.pdf

Refer to "General Notes Relating to Pepperl+Fuchs Product Information".

Pepperl+Fuchs Group
www.pepperl-fuchs.com

USA: +1 330 486 0001
fa-info@us.pepperl-fuchs.com

Germany: +49 621 776 1111
fa-info@de.pepperl-fuchs.com

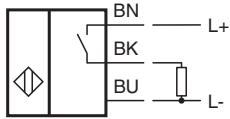
Singapore: +65 6779 9091
fa-info@sg.pepperl-fuchs.com

 **PEPPERL+FUCHS**

Technical Data

Mechanical specifications	
Connection type	flexible leads PVC , 350 mm
Core cross section	0.5 mm ²
Housing material	anodized aluminum
Degree of protection	IP67

Connection



Release date: 2022-11-03 Date of issue: 2022-11-03 Filename: 450193_eng.pdf