

Mounting aid MPZB06



- Mounting bracket
- Adjustable Bracket

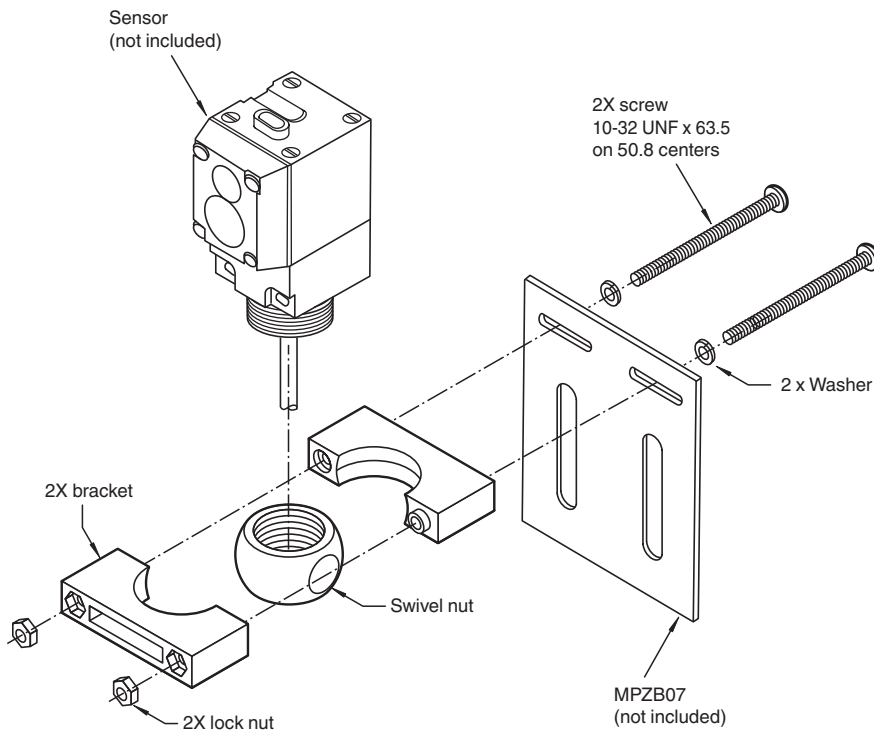
Ball and Swivel Mounting Bracket



Function

The basic ball and swivel mounting bracket (360° swivel, 10° tilt) consists of two plastic brackets and the spherical plastic swivel nut. The swivel nut has M30 threading for direct installation on the sensor's base, including on quick disconnect versions. The bracket can be directly mounted to a surface, or the MPZB07 mounting plate may be used.

Dimensions



Release date: 2020-06-30 Date of issue: 2020-06-30 Filename: 454518_eng.pdf

Refer to "General Notes Relating to Pepperl+Fuchs Product Information".

Pepperl+Fuchs Group
www.pepperl-fuchs.com

USA: +1 330 486 0001
fa-info@us.pepperl-fuchs.com

Germany: +49 621 776 1111
fa-info@de.pepperl-fuchs.com

Singapore: +65 6779 9091
fa-info@sg.pepperl-fuchs.com

pf PEPPERL+FUCHS

Technical Data**Mechanical specifications**

Material	plastic
Mass	approx. 830 g
Suitable series	
Series	Series 61 , MP Series