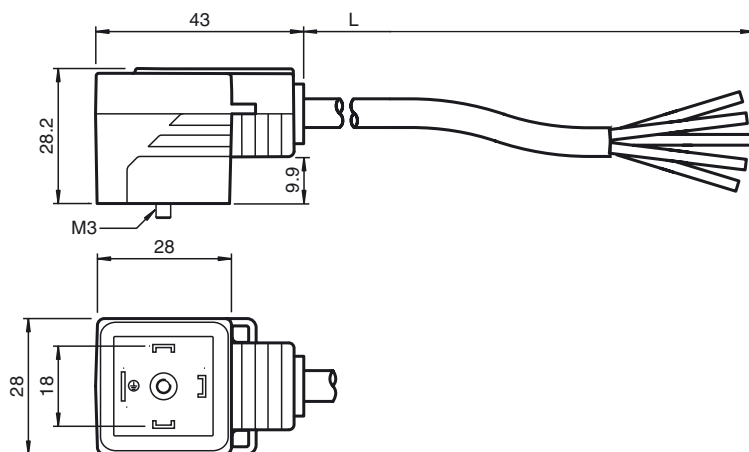


Dimensions



Model Number

VMA-3+P/L1-5M-PUR

Valve connector, Form A, 3+PE, LED, PUR cable

Features

- Valve connector according EN 175301-803 A/ISO 4400 (previously DIN 43650)
- Built-in LED, as operating and function indicator
- Moulded seal
- Flame resistant cable
- Completely halogen and silicon free
- Resistant to microbes and hydrolysis
- Oil resistant

Technical data

General specifications

| | |
|----------------|--------|
| Number of pins | 3 + PE |
|----------------|--------|

Indicators/operating means

| | |
|-----------|--------------------|
| LED green | Operating display |
| LED red | Functional display |

Electrical specifications

| | | |
|-------------------|-------|------------|
| Operating voltage | U_B | 24 V AC/DC |
| Operating current | I_B | max. 4 A |
| Volume resistance | | < 5 mΩ |

Ambient conditions

| | |
|---------------------|--|
| Ambient temperature | Body: -20 ... 85 °C (-4 ... 185 °F) cable, flexing: -20 ... 80 °C (-4 ... 176 °F) cable, fixed: -40 ... 80 °C (-40 ... 176 °F) |
|---------------------|--|

Mechanical specifications

| | |
|------------------------|----------------------------------|
| Degree of protection | IP65/IP67 |
| Connection | Valve connector Form A |
| Material | |
| Contacts | CuSn |
| Contact surface | Sn |
| Body | TPU, black |
| Cable | PUR |
| Core insulation | PP |
| Cable | |
| Sheath diameter | Ø 5.3 mm |
| Bending radius | > 53 mm > 26.5 mm, fixed |
| Color | dark grey (RAL 7021) |
| Cores | 5 x 0.5 mm ² ; 20 AWG |
| Conductor construction | 28 x 0.15 mm Ø |
| Length | L 5 m |
| Flammability | |
| Housing | V-0 |

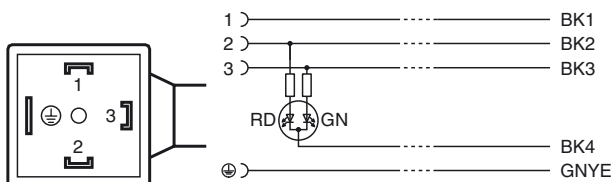
Compliance with standards and directives

| | |
|---------------------|-------------|
| Standard conformity | |
| Flammability | Grip: UL 94 |

Approvals and certificates

| | |
|-------------|-------------------------|
| UL approval | cURus AWM 20549 (cable) |
|-------------|-------------------------|

Electrical connection



Release date: 2015-12-14 15:39 Date of issue: 2015-12-14 456835_eng.xml