

### Model Number

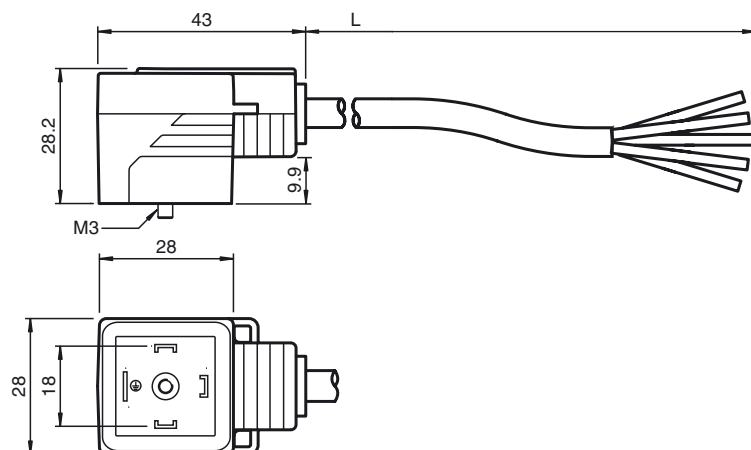
#### VMA-3+P/L1-10M-PUR

Valve connector, Form A, 3+PE, LED, PUR cable

### Features

- Valve connector according EN 175301-803 A/ISO 4400 (previously DIN 43650)
- Built-in LED, as operating and function indicator
- Moulded seal
- Flame resistant cable
- Completely halogen and silicon free
- Resistant to microbes and hydrolysis
- Oil resistant

### Dimensions



### Technical data

#### General specifications

Number of pins 3 + PE

#### Indicators/operating means

LED green Operating display  
LED red Functional display

#### Electrical specifications

Operating voltage  $U_B$  24 V AC/DC  
Operating current  $I_B$  max. 4 A  
Volume resistance < 5 m $\Omega$

#### Ambient conditions

Ambient temperature Body: -20 ... 85 °C (-4 ... 185 °F)  
cable, flexing: -20 ... 80 °C (-4 ... 176 °F)  
cable, fixed: -40 ... 80 °C (-40 ... 176 °F)

Pollution Degree 3

#### Mechanical specifications

Degree of protection IP65/IP67  
Connection Valve connector Form A

#### Material

Contacts CuSn  
Contact surface Sn  
Body TPU, black  
Cable PUR  
Core insulation PP

#### Cable

Sheath diameter  $\varnothing$  5.3 mm  
Bending radius > 53 mm  
> 26.5 mm, fixed  
Color dark grey (RAL 7021)  
Cores 5 x 0.5 mm<sup>2</sup>; 20 AWG  
Conductor construction 28 x 0.15 mm  $\varnothing$   
Length L 10 m

#### Flammability

Housing V-0

#### Compliance with standards and directives

Standard conformity  
Flammability Grip: UL 94

#### Approvals and certificates

UL approval cURus AWM 20549 (cable)

### Electrical connection

