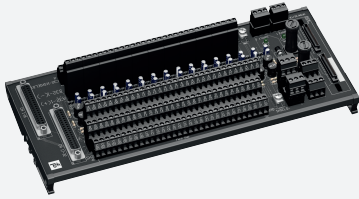


HART Termination Board

HiSHPSM/32/TB-02



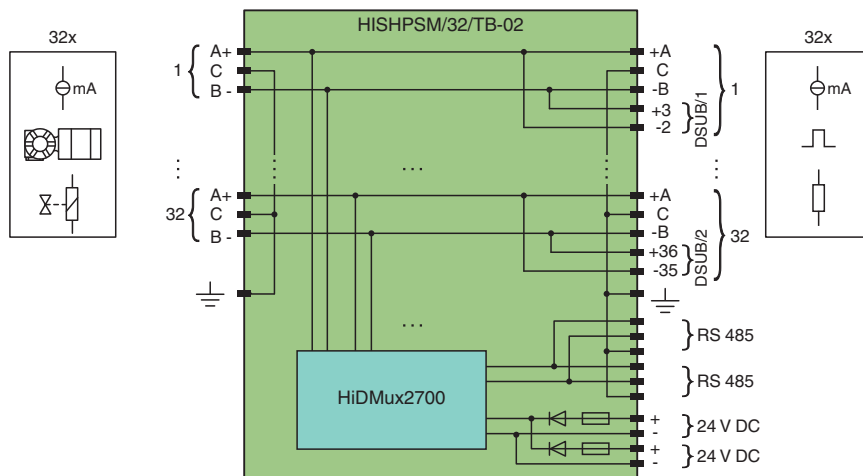
- 32-channel
- 24 V DC supply
- Interface for serial or parallel wiring options
- 37-pin Sub-D connectors
- Slot for HART Multiplexer



Function

The Termination Board is designed to complement the I/O termination panels and provide access to all HART information. The Termination Board provides a robust solution for on-line HART communications, interfaces up to 32 field located HART devices, and it allows the user to retain standard DCS field termination panels. This ideal for retrofitting existing installations and maintains all existing hardware and field wiring. The Termination Board offers analog output filters.

Connection



Technical Data

Supply	
Nominal voltage	24 V DC
Fusing	100 mA , 5 x 20 mm (0.2 x 0.8 inch)
Power dissipation	0.7 W , with Multiplexer
Reverse polarity protection	yes
HART signal channels (intrinsically safe)	
HART signal channels	
Number of channels	32 unbalanced signal loops
Interface	
Type/number	2 x RS-485
Redundancy	

Release date: 2023-05-31 Date of issue: 2023-05-31 Filename: 475504_eng.pdf

Refer to "General Notes Relating to Pepperl+Fuchs Product Information".

Pepperl+Fuchs Group
www.pepperl-fuchs.com

USA: +1 330 486 0002
pa-info@us.pepperl-fuchs.com

Germany: +49 621 776 2222
pa-info@de.pepperl-fuchs.com

Singapore: +65 6779 9091
pa-info@sg.pepperl-fuchs.com

PEPPERL+FUCHS

Technical Data

Supply	yes
Galvanic isolation	
HART signal channels	30 V DC
Ambient conditions	
Ambient temperature	-20 ... 55 °C (-4 ... 131 °F)
Relative humidity	5 ... 90 %, non-condensing
Mechanical specifications	
Core cross section	2.5 mm ² (16 AWG)
Connection	field side: screw terminals control side: screw terminals/Sub-D socket 2 x 37-pin RS 485 interface: removable screw terminals power: removable screw terminals
Mass	approx. 700 g
Dimensions	300 x 127 x 186 mm (11.8 x 5 x 7.3 inch) (W x H x D) , depth including module assembly with HiDMux2700
Mounting	DIN rail mounting
General information	
Supplementary information	Observe the certificates, declarations of conformity, instruction manuals, and manuals where applicable. For information see www.pepperl-fuchs.com .

Connection Assignment

Sub-D connector, 37-pin, pin	Signal	P1	P2
1	NC	unused	unused
2	1-	Channel 1-	Channel 17-
3	1+	Channel 1+	Channel 17+
4	3-	Channel 3-	Channel 19-
5	3+	Channel 3+	Channel 19+
6	5-	Channel 5-	Channel 21-
7	5+	Channel 5+	Channel 21+
8	7-	Channel 7-	Channel 23-
9	7+	Channel 7+	Channel 23+
10	9-	Channel 9-	Channel 25-
11	9+	Channel 9+	Channel 25+
12	11-	Channel 11-	Channel 27-
13	11+	Channel 11+	Channel 27+
14	13-	Channel 13-	Channel 29-
15	13+	Channel 13+	Channel 29+
16	15-	Channel 15-	Channel 31-
17	15+	Channel 15+	Channel 31+
18	NC	unused	unused
19	NC	unused	unused
20	NC	unused	unused
21	2-	Channel 2-	Channel 18-
22	2+	Channel 2+	Channel 18+
23	4-	Channel 4-	Channel 20-
24	4+	Channel 4+	Channel 20+
25	6-	Channel 6-	Channel 22-
26	6+	Channel 6+	Channel 22+
27	8-	Channel 8-	Channel 24-
28	8+	Channel 8+	Channel 24+
29	10-	Channel 10-	Channel 26-
30	10+	Channel 10+	Channel 26+
31	12-	Channel 12-	Channel 28-
32	12+	Channel 12+	Channel 28+
33	14-	Channel 14-	Channel 30-
34	14+	Channel 14+	Channel 30+
35	16-	Channel 16-	Channel 32-
36	16+	Channel 16+	Channel 32+
37	NC	unused	unused

Release date: 2023-05-31 Date of issue: 2023-05-31 Filename: 475504_eng.pdf

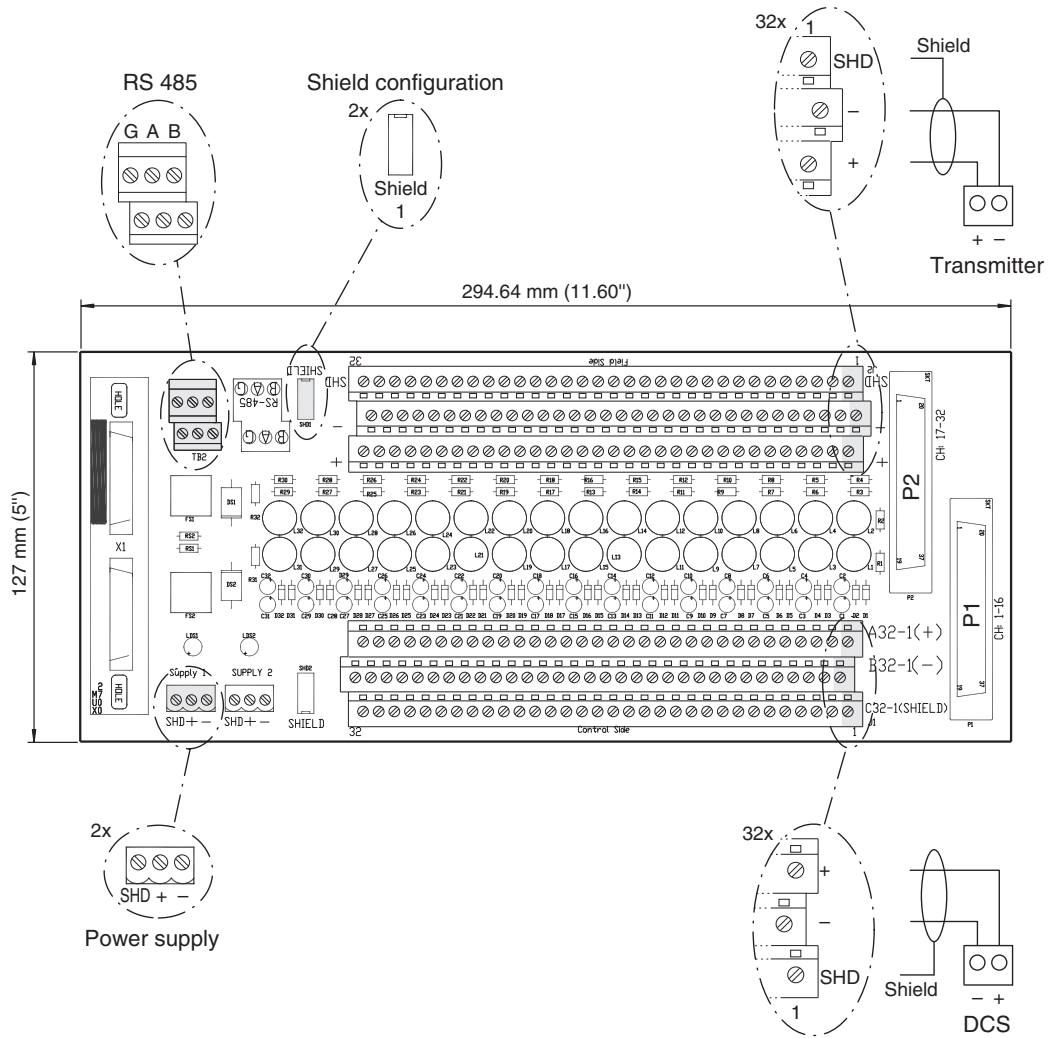
Refer to "General Notes Relating to Pepperl+Fuchs Product Information".

Additional Information

Versions

HISHPSM/32/TB-02-C	coated version
HISHPSM/32/TB-02-200R	with 200 Ω resistor
HISHPSM/32/TB-02/FUSE	with series fuses for each channel
HISHPSM/32/TB-02/HF16	16 channels with HART filter
HISHPSM/32/TB-02/HF16/FUSE	16 channels with HART filter and with series fuses for each channel
HISHPSM/32/TB-02/HF32	32 channels with HART filter
HISHPSM/32/TB-02/HF32-C	32 channels with HART filter, coated version

Connection



Release date: 2023-05-31 Date of issue: 2023-05-31 Filename: 475504_eng.pdf

Refer to "General Notes Relating to Pepperl+Fuchs Product Information".

Pepperl+Fuchs Group
www.pepperl-fuchs.com

USA: +1 330 486 0002
pa-info@us.pepperl-fuchs.com

Germany: +49 621 776 2222
pa-info@de.pepperl-fuchs.com

Singapore: +65 6779 9091
pa-info@sg.pepperl-fuchs.com

pf PEPPERL+FUCHS