

# Pressurization System

## 10E-\*



- Environmental purge for nonhazardous areas
- Built in ISO 9001 registered manufacturing facilities
- Complete package for enclosures up to 7.2 m<sup>3</sup> (250 ft<sup>3</sup>)

Environmental purge for nonhazardous dusty/dirty areas

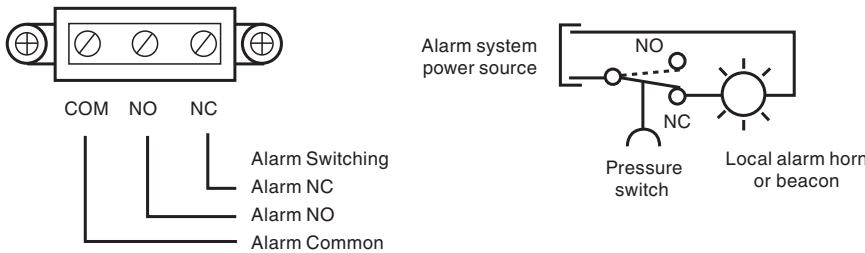


### Function

The Enviro-Line series is an environmental pressurization system designed for nonhazardous areas that contain dusty, dirty, and corrosive atmospheres. It operates on a supply of compressed instrument air or inert gas to regulate and monitor the pressure within the sealed enclosure. The system maintains a constant 0.5" water pressure inside the enclosure. As a result, corrosive elements remain outside the enclosure. The Enviro-Line offers a complete environmental pressurization system including a regulator or vent, depending on your application. It is designed for enclosures up to 7.2 m<sup>3</sup> (250 ft<sup>3</sup>). An Enviro-Line pressurization system includes a stainless steel panel, adaptable mounting plate, enclosure pressure gauge, tubing, fittings, and fastening hardware. A complete kit down to the nuts and bolts.

### Connection

Electrical connection for 10E-WGS- option:



### Technical Data

<b>General specifications</b>	
Series	Enviro-Line
<b>Electrical specifications</b>	
Connection	Terminal blocks
<b>Output</b>	
Output I	-WGS-
Output type	Switch contacts
Contact loading	15 A @ 120 - 480 VAC, 60 Hz resistive load; 1/8 HP @ 125 VAC
<b>Pneumatic parameters</b>	
Protective gas supply	instrument grade air or inert gas

Release date: 2022-07-04 Date of issue: 2022-07-04 Filename: 515456\_eng.pdf

Refer to "General Notes Relating to Pepperl+Fuchs Product Information".

**Technical Data**

Pressure requirement	5 ... 120 psi (.34 ... 8.3 bar) (34 ... 827 kPa)
Enclosure pressure	0.5" wc (12.5 mm wc) (1.25 mbar) (125 Pa)
Flow rate for leakage compensation	0.1 ... 3.5 SCFH (2.83 ... 99.12 l/hr)
<b>Ambient conditions</b>	
Ambient temperature	-28.9 ... 48.9 °C (-20 ... 120 °F)
<b>Mechanical specifications</b>	
Connection type	System supply fitting: GBC-6, 3/8 inch bulkhead fitting System supply tubing: 3/8 inch nylon or Polyethylene tubing Reference fitting: GBC-4, 1/4 inch bulkhead fitting Reference tubing: 1/4 inch nylon or Polyethylene tubing
Material	Regulator body: zinc w/enamel finish Regulator handle: polycarbonate Enclosure pressure gauge: aluminum w/enamel finish Tube fittings, GBC-: nickel plated brass Tubing: nylon or polyethylene Fastener hardware: aluminum & stainless steel Mounting plate: 316L, 14 ga. stainless steel
Mass	10E-WGS-WRR-_: 4.54 kg (10 lb) 10E-LGS-WRR-_: 3.18 kg (7 lb) 10E-WGS-WVT-_: 6.35 kg (14 lb) 10E-LGS-WVT-_: 4.99 kg (11 lb)

**Assembly**



Release date: 2022-07-04 Date of issue: 2022-07-04 Filename: 515456\_eng.pdf

Refer to "General Notes Relating to Pepperl+Fuchs Product Information".

Pepperl+Fuchs Group  
www.pepperl-fuchs.com

USA: +1 330 486 0002  
pa-info@us.pepperl-fuchs.com

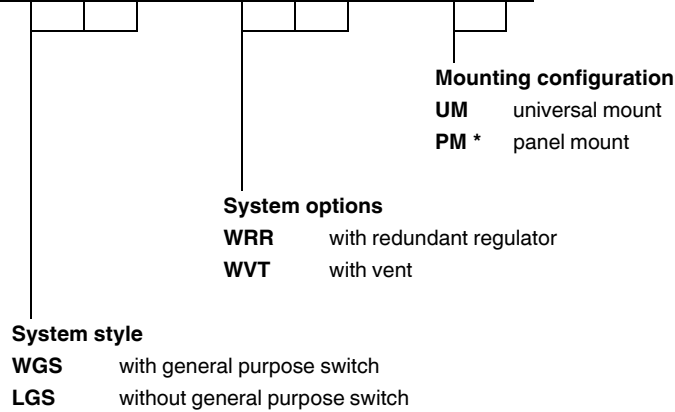
Germany: +49 621 776 2222  
pa-info@de.pepperl-fuchs.com

Singapore: +65 6779 9091  
pa-info@sg.pepperl-fuchs.com

**pepperl+fuchs**

**Type Code**

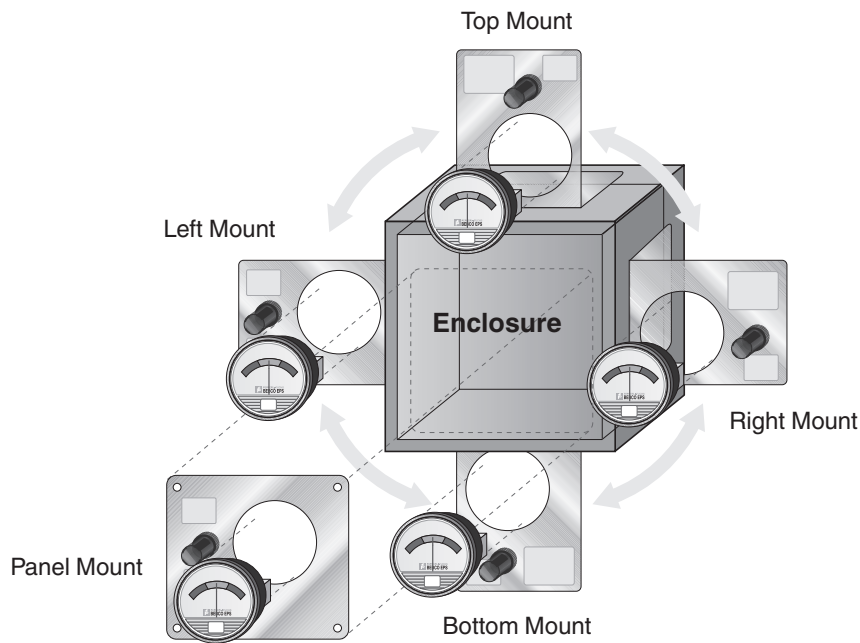
**1 0 E - W G S - W R R - U M**



\* PM option not available with redundant regulator option (WRR configuration)

**Additional Information**

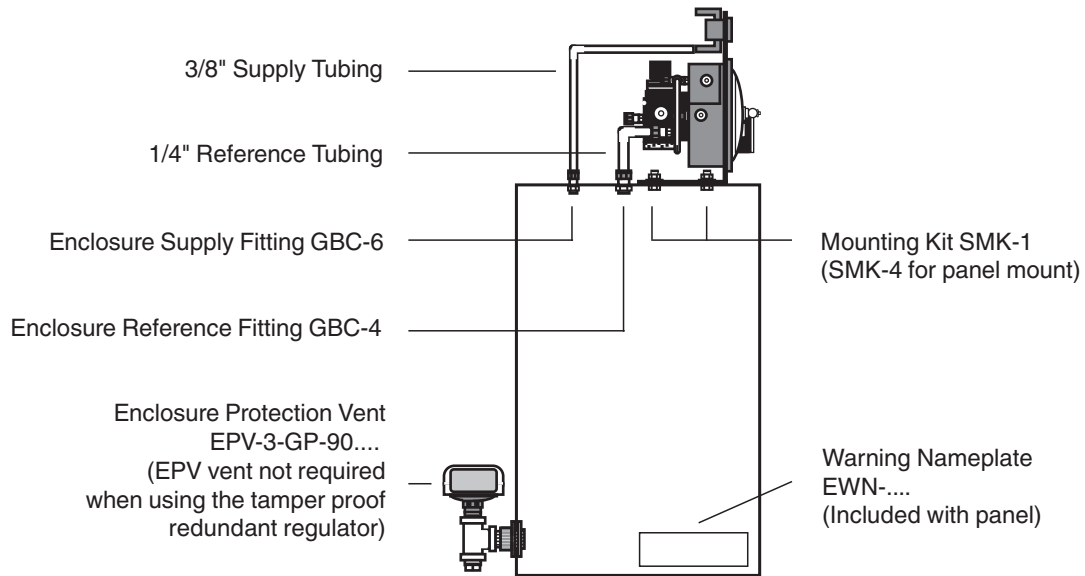
**Mounting examples**



**Assembly**

Release date: 2022-07-04 Date of issue: 2022-07-04 Filename: 515456\_eng.pdf

Refer to "General Notes Relating to Pepperl+Fuchs Product Information".



Release date: 2022-07-04 Date of issue: 2022-07-04 Filename: 515456\_eng.pdf

Refer to "General Notes Relating to Pepperl+Fuchs Product Information".

Pepperl+Fuchs Group  
www.pepperl-fuchs.com

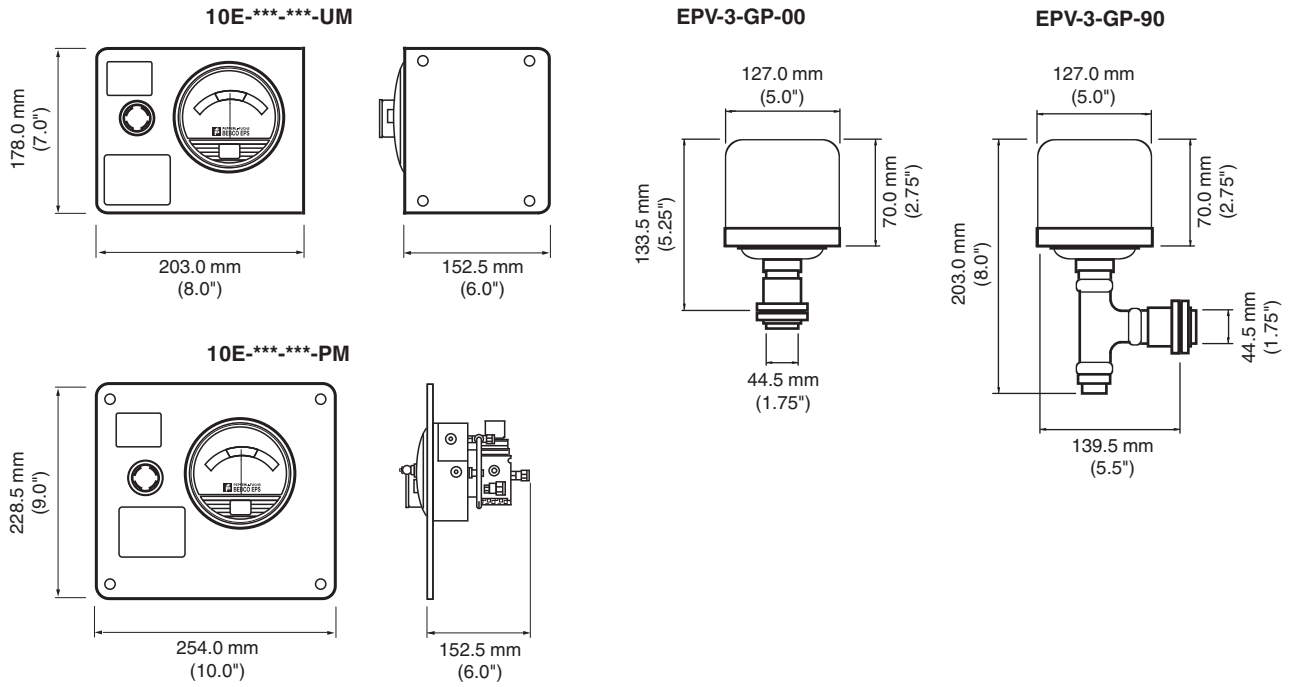
USA: +1 330 486 0002  
pa-info@us.pepperl-fuchs.com

Germany: +49 621 776 2222  
pa-info@de.pepperl-fuchs.com

Singapore: +65 6779 9091  
pa-info@sg.pepperl-fuchs.com

 **PEPPERL+FUCHS**

Dimensions



Model number (Available in universal or panel mount)	WGS With general-purpose switch	WRR With redundant regulator, with gauge	WVT With vent EPV-3-GP-00/90 for top or side mount	Fittings & connections (included)	1/4" stainless steel hex bolts & nuts	3/8" supply tubing, 1/4" reference tubing	3/8" & 1/4" connection fittings
10E-WGS-WRR-...	■	■			■	■	■
10E-LGS-WRR-...		■			■	■	■
10E-WGS-WVT-...	■		■		■	■	■
10E-LGS-WVT-...			■		■	■	■

Release date: 2022-07-04 Date of issue: 2022-07-04 Filename: 515456\_eng.pdf

Refer to "General Notes Relating to Pepperl+Fuchs Product Information".

Pepperl+Fuchs Group  
 www.pepperl-fuchs.com

USA: +1 330 486 0002  
 pa-info@us.pepperl-fuchs.com

Germany: +49 621 776 2222  
 pa-info@de.pepperl-fuchs.com

Singapore: +65 6779 9091  
 pa-info@sg.pepperl-fuchs.com

**pepperl+fuchs**