

Pressurization System

10E-*



- Environmental purge for nonhazardous areas
- Built in ISO 9001 registered manufacturing facilities
- Complete package for enclosures up to 7.2 m³ (250 ft³)

Environmental purge for nonhazardous dusty/dirty areas

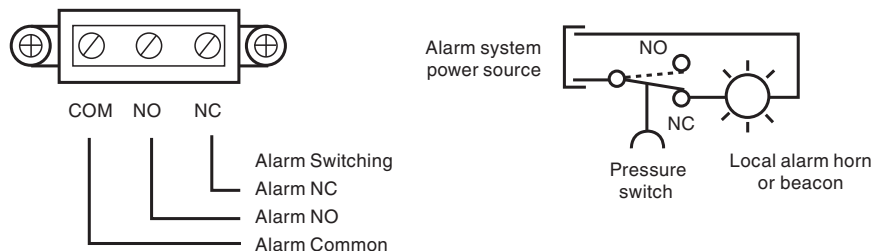


Function

The Enviro-Line series is an environmental pressurization system designed for nonhazardous areas that contain dusty, dirty, and corrosive atmospheres. It operates on a supply of compressed instrument air or inert gas to regulate and monitor the pressure within the sealed enclosure. The system maintains a constant 0.5" water pressure inside the enclosure. As a result, corrosive elements remain outside the enclosure. The Enviro-Line offers a complete environmental pressurization system including a regulator or vent, depending on your application. It is designed for enclosures up to 7.2 m³ (250 ft³). An Enviro-Line pressurization system includes a stainless steel panel, adaptable mounting plate, enclosure pressure gauge, tubing, fittings, and fastening hardware. A complete kit down to the nuts and bolts.

Connection

Electrical connection for 10E-WGS- option:



Technical Data

General specifications	
Series	Enviro-Line
System	Enviro-Line
Electrical specifications	
Connection	Terminal blocks
Output	
Output I	-WGS-
Output type	Switch contacts
Contact loading	15 A @ 120 - 480 VAC, 60 Hz resistive load; 1/8 HP @ 125 VAC
Pneumatic parameters	

Release date: 2025-02-10 Date of issue: 2025-02-10 Filename: 515456_eng.pdf

Refer to "General Notes Relating to Pepperl+Fuchs Product Information".

Technical Data

Protective gas supply	instrument grade air or inert gas
Pressure requirement	5 ... 120 psi (.34 ... 8.3 bar) (34 ... 827 kPa)
Enclosure pressure	0.5" wc (12.5 mm wc) (1.25 mbar) (125 Pa)
Flow rate for leakage compensation	0.1 ... 3.5 SCFH (2.83 ... 99.12 l/hr)
Ambient conditions	
Ambient temperature	-28.9 ... 48.9 °C (-20 ... 120 °F)
Mechanical specifications	
Connection type	System supply fitting: GBC-6, 3/8 inch bulkhead fitting System supply tubing: 3/8 inch nylon or Polyethylene tubing Reference fitting: GBC-4, 1/4 inch bulkhead fitting Reference tubing: 1/4 inch nylon or Polyethylene tubing
Material	Regulator body: zinc w/enamel finish Regulator handle: polycarbonate Enclosure pressure gauge: aluminum w/enamel finish Tube fittings, GBC-: nickel plated brass Tubing: nylon or polyethylene Fastener hardware: aluminum & stainless steel Mounting plate: 316L, 14 ga. stainless steel
Mass	10E-WGS-WRR-_: 4.54 kg (10 lb) 10E-LGS-WRR-_: 3.18 kg (7 lb) 10E-WGS-WVT-_: 6.35 kg (14 lb) 10E-LGS-WVT-_: 4.99 kg (11 lb)

Assembly



Release date: 2025-02-10 Date of issue: 2025-02-10 Filename: 515456_eng.pdf

Refer to "General Notes Relating to Pepperl+Fuchs Product Information".

Pepperl+Fuchs Group
www.pepperl-fuchs.com

USA: +1 330 486 0002
pa-info@us.pepperl-fuchs.com

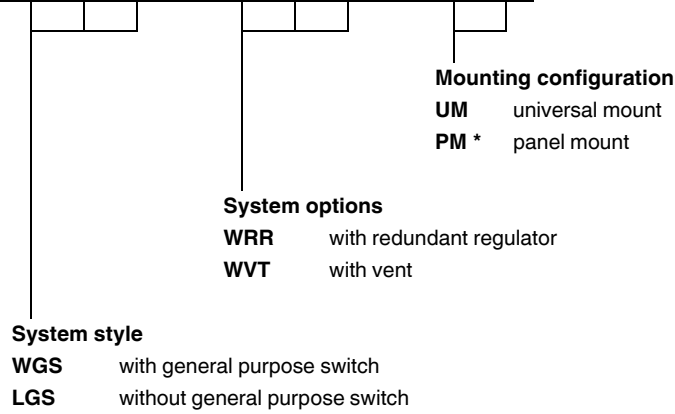
Germany: +49 621 776 2222
pa-info@de.pepperl-fuchs.com

Singapore: +65 6779 9091
pa-info@sg.pepperl-fuchs.com

PEPPERL+FUCHS

Type Code

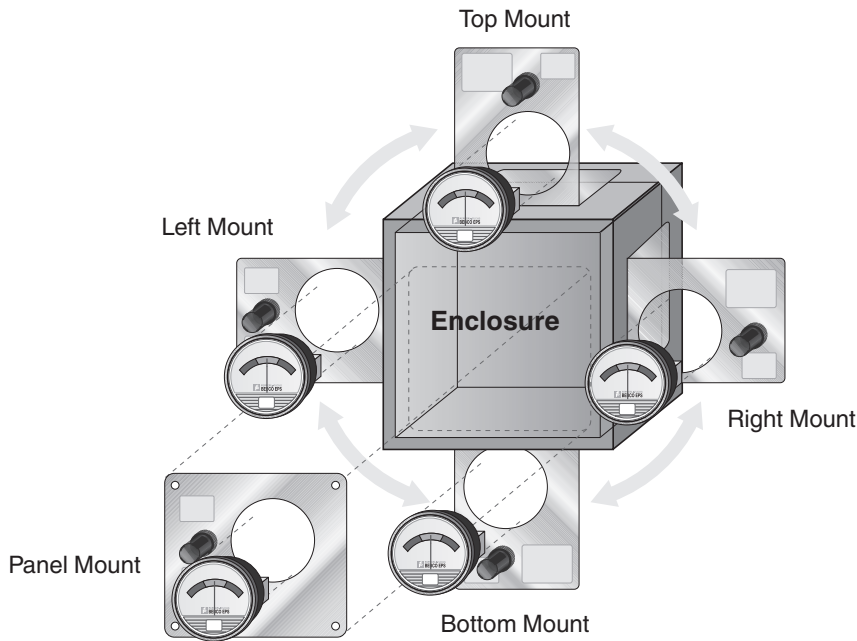
1 0 E - W G S - W R R - U M



* PM option not available with redundant regulator option (WRR configuration)

Additional Information

Mounting examples



Assembly

Release date: 2025-02-10 Date of issue: 2025-02-10 Filename: 515456_eng.pdf

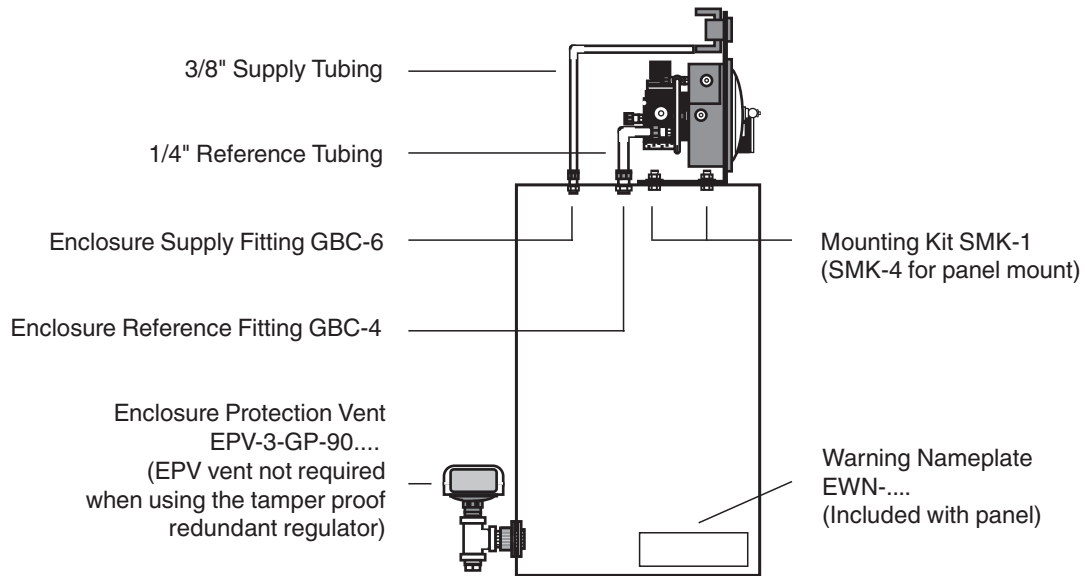
Refer to "General Notes Relating to Pepperl+Fuchs Product Information".

Pepperl+Fuchs Group
 www.pepperl-fuchs.com

USA: +1 330 486 0002
 pa-info@us.pepperl-fuchs.com

Germany: +49 621 776 2222
 pa-info@de.pepperl-fuchs.com

Singapore: +65 6779 9091
 pa-info@sg.pepperl-fuchs.com



Release date: 2025-02-10 Date of issue: 2025-02-10 Filename: 515456_eng.pdf

Refer to "General Notes Relating to Pepperl+Fuchs Product Information".

Pepperl+Fuchs Group
www.pepperl-fuchs.com

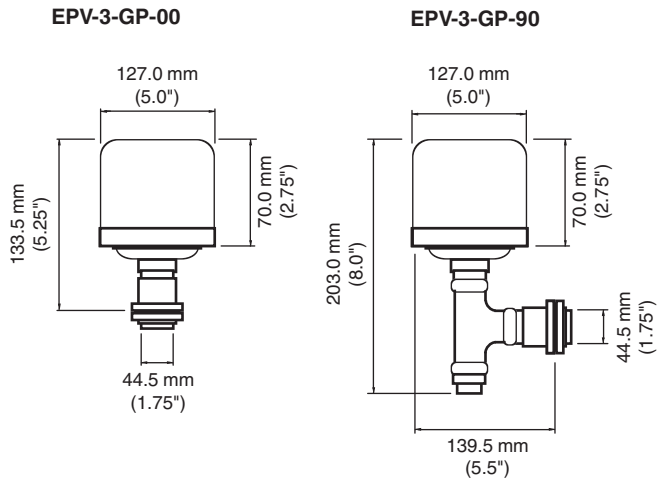
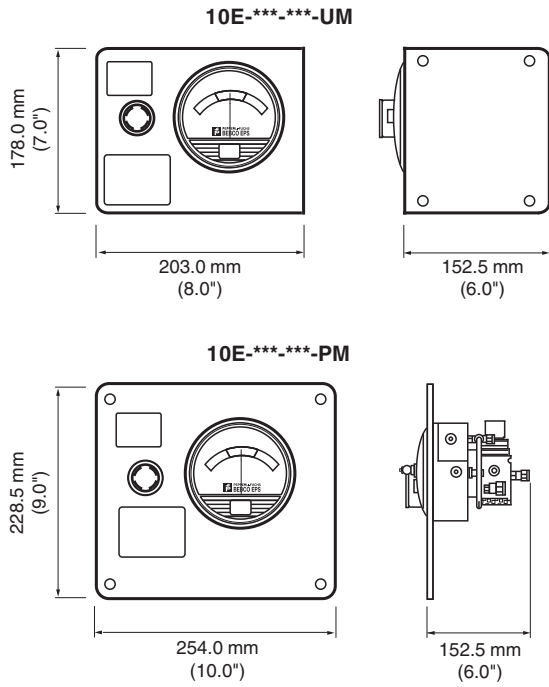
USA: +1 330 486 0002
pa-info@us.pepperl-fuchs.com

Germany: +49 621 776 2222
pa-info@de.pepperl-fuchs.com

Singapore: +65 6779 9091
pa-info@sg.pepperl-fuchs.com

 **PEPPERL+FUCHS**

Dimensions



Model number (Available in universal or panel mount)	WGS With general-purpose switch	WRR With redundant regulator, with gauge	WVT With vent EPV-3-GP-00/90 for top or side mount	Fittings & connections (included)	1/4" stainless steel hex bolts & nuts	3/8" supply tubing, 1/4" reference tubing	3/8" & 1/4" connection fittings
10E-WGS-WRR-...	■	■			■	■	■
10E-LGS-WRR-...		■			■	■	■
10E-WGS-WVT-...	■		■		■	■	■
10E-LGS-WVT-...			■		■	■	■

Release date: 2025-02-10 Date of issue: 2025-02-10 Filename: 515456_eng.pdf

Refer to "General Notes Relating to Pepperl+Fuchs Product Information".

Pepperl+Fuchs Group
www.pepperl-fuchs.com

USA: +1 330 486 0002
pa-info@us.pepperl-fuchs.com

Germany: +49 621 776 2222
pa-info@de.pepperl-fuchs.com

Singapore: +65 6779 9091
pa-info@sg.pepperl-fuchs.com

PF PEPPERL+FUCHS