



## D-Sub plug 9-pin

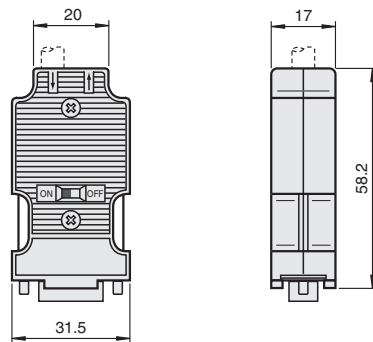
### LB9002A

- For PROFIBUS DP, MODBUS, RS 485
- Axial cable feed
- With switchable bus termination resistor

D-Sub plug 9-pin, axial cable feed



## Dimensions



## Technical Data

| Electrical specifications |       |                                |  |
|---------------------------|-------|--------------------------------|--|
| Rated voltage             | $U_r$ | 60 V AC/DC                     |  |
| Rated current             | $I_r$ | 1 A                            |  |
| Interface                 |       |                                |  |
| Interface type            |       | PROFIBUS DP                    |  |
| Transfer rate             |       | max. 12 MBit/s                 |  |
| Connector pinout          |       | 3, 5, 6, 8                     |  |
| Ambient conditions        |       |                                |  |
| Ambient temperature       |       | -20 ... 75 °C (-4 ... 167 °F)  |  |
| Storage temperature       |       | -25 ... 80 °C (-13 ... 176 °F) |  |
| Mechanical specifications |       |                                |  |
| Core cross section        |       | max. 1.5 mm <sup>2</sup>       |  |
| Cable diameter            |       | 7.6 ... 8.4 mm                 |  |
| Cable gland               |       | screw terminals                |  |
| Material                  |       |                                |  |
| Housing                   |       | metallized ABS                 |  |
| Mass                      |       | approx. 40 g                   |  |

Release date: 2022-07-04 Date of issue: 2022-07-04 Filename: 542006\_eng.pdf

Refer to "General Notes Relating to Pepperl+Fuchs Product Information".

Pepperl+Fuchs Group  
www.pepperl-fuchs.com

USA: +1 330 486 0002  
pa-info@us.pepperl-fuchs.com

Germany: +49 621 776 2222  
pa-info@de.pepperl-fuchs.com

Singapore: +65 6779 9091  
pa-info@sg.pepperl-fuchs.com

 PEPPERL+FUCHS

**Technical Data**

|                                |                                       |
|--------------------------------|---------------------------------------|
| Dimensions                     | (W x H x D) 31.5 mm x 58.2 mm x 17 mm |
| <b>International approvals</b> |                                       |
| EAC approval                   | Russia: RU C-IT.MIII06.B.00129        |
| Marine approval                |                                       |
| Lloyd Register                 | 15/20021                              |
| American Bureau of Shipping    | T1450280/UN                           |