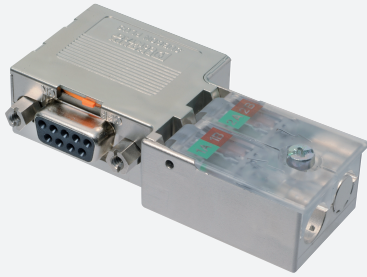


D-Sub plug 9-pin

LB9003A

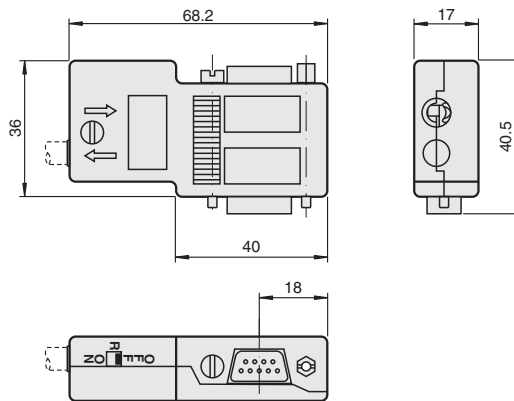


- For PROFIBUS DP, MODBUS, RS 485
- Cable feed below 90°
- With switchable bus termination resistor
- With connector for bus monitor or class 2 master

D-Sub plug 9-pin, cable feed below 90°



Dimensions



Technical Data

Electrical specifications			
Rated voltage	U_r	60 V AC/DC	
Rated current	I_r	1 A	
Interface			
Interface type		PROFIBUS DP	
Transfer rate		max. 12 MBit/s	
Connector pinout		3, 5, 6, 8	
Ambient conditions			
Ambient temperature		-20 ... 75 °C (-4 ... 167 °F)	
Storage temperature		-25 ... 80 °C (-13 ... 176 °F)	
Mechanical specifications			
Core cross section		max. 1.5 mm ²	
Cable diameter		7.6 ... 8.4 mm	
Cable gland		screw terminals	
Material			
Housing		metallized ABS	
Mass		approx. 40 g	

Release date: 2022-07-04 Date of issue: 2022-07-04 Filename: 542007_eng.pdf

Refer to "General Notes Relating to Pepperl+Fuchs Product Information".

Pepperl+Fuchs Group
www.pepperl-fuchs.com

USA: +1 330 486 0002
pa-info@us.pepperl-fuchs.com

Germany: +49 621 776 2222
pa-info@de.pepperl-fuchs.com

Singapore: +65 6779 9091
pa-info@sg.pepperl-fuchs.com

PEPPERL+FUCHS

Technical Data

Dimensions	(W x H x D) 68.2 mm x 40.5 mm x 17 mm
International approvals	
EAC approval	Russia: RU C-IT.MIII06.B.00129
Marine approval	
Lloyd Register	15/20021
American Bureau of Shipping	T1450280/UN

Release date: 2022-07-04 Date of issue: 2022-07-04 Filename: 542007_eng.pdf

Refer to "General Notes Relating to Pepperl+Fuchs Product Information".

Pepperl+Fuchs Group
www.pepperl-fuchs.comUSA: +1 330 486 0002
pa-info@us.pepperl-fuchs.comGermany: +49 621 776 2222
pa-info@de.pepperl-fuchs.comSingapore: +65 6779 9091
pa-info@sg.pepperl-fuchs.com **PEPPERL+FUCHS**