

**Features**

- 2-channel
- DC version, positive polarity
- Working voltage 23 V/17 V at 2 μA
- Series resistance max. 366.5 Ω/462.5 Ω
- Fuse rating 32 mA
- Terminal Base or Termination Board mounting, pluggable
- Asymmetrical version
- Replaceable fuse

**Function**

The Zener Barrier prevents the transfer of unacceptably high energy from the safe area into the hazardous area.

The zener diodes in the Zener Barrier are connected in the reverse direction. The breakdown voltage of the diodes is not exceeded in normal operation. If this voltage is exceeded, due to a fault in the safe area, the diodes start to conduct, causing the fuse to blow. The Zener Barrier has a positive polarity, i. e. the anodes of the zener diodes are grounded.

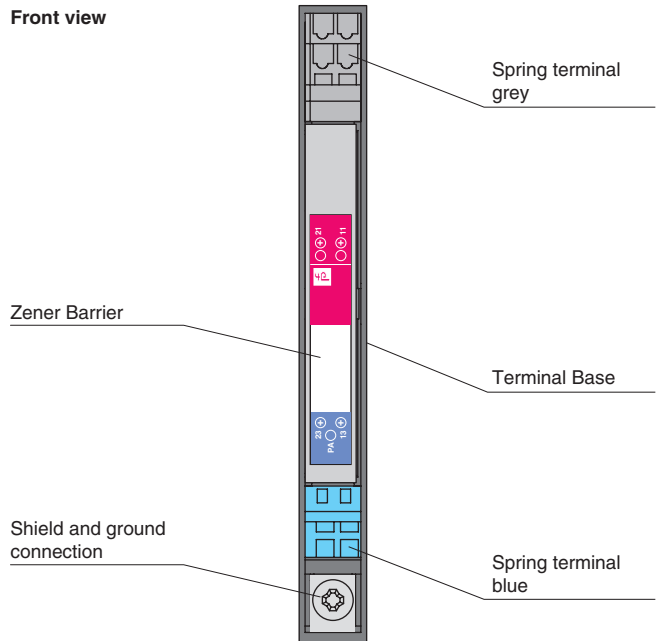
Additionally this Zener Barrier is equipped with a replaceable fuse.

Asymmetrical Zener Barriers are for optimization of applications which have different voltage levels regarding to ground potential.

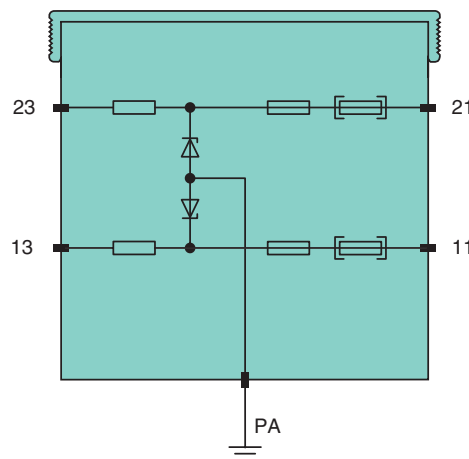
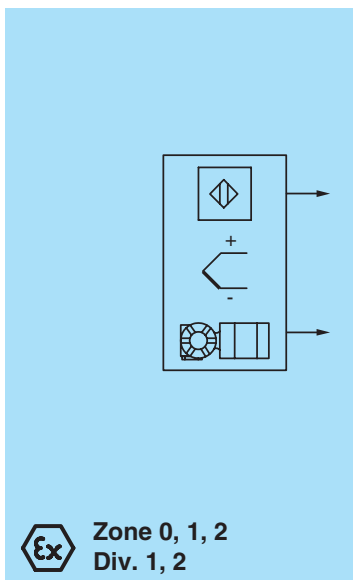
Depending on the application, increased or decreased intrinsic safety parameters apply for serial or parallel connection. For the detailed parameters refer to the Zener Barrier certificate. Application examples can be found in the system description of the Zener Barriers.

Zener Barriers will be supplied without terminal base or termination board. Please order separately (accessories see technical data).

**Assembly**



**Connection**



Zone 2  
Div. 2

Release date 2014-03-21 13:19 Date of issue 2014-03-24 545538\_eng.xml

Refer to "General Notes Relating to Pepperl+Fuchs Product Information".

Pepperl+Fuchs Group  
www.pepperl-fuchs.com

USA: +1 330 486 0002  
pa-info@us.pepperl-fuchs.com

Germany: +49 621 776 2222  
pa-info@de.pepperl-fuchs.com

Singapore: +65 6779 9091  
pa-info@sg.pepperl-fuchs.com

<b>General specifications</b>		
Type		DC version, positive polarity
<b>Electrical specifications</b>		
Nominal resistance		terminals 21, 23: without back-up fuse 339 Ω, with back-up fuse 355.5 Ω terminals 11, 13: without back-up fuse 434 Ω, with back-up fuse 450.5 Ω
Series resistance		terminals 21, 23: without back-up fuse max. 346.5 Ω, with back-up fuse max. 366.5 Ω terminals 11, 13: without back-up fuse max. 442.5 Ω, with back-up fuse max. 462.5 Ω
Fuse rating		internal fuse 32 mA , back-up fuse 32 mA
<b>Hazardous area connection</b>		
Connection		terminals 13; 23
<b>Safe area connection</b>		
Connection		terminals 11; 21
Working voltage		terminals 21, PA: 23 V at 2 μA ; terminals 11, PA: 17 V at 2 μA
<b>Conformity</b>		
Degree of protection		IEC 60529
<b>Ambient conditions</b>		
Ambient temperature		-20 ... 60 °C (-4 ... 140 °F)
Storage temperature		-40 ... 80 °C (-40 ... 176 °F)
Relative humidity		< 75 % (annual mean) < 95 % (30 d/year), no moisture condensation
<b>Mechanical specifications</b>		
Degree of protection		IP20 (installed on Terminal Base or Termination Board)
Connection		wiring via Terminal Base or Termination Board
Mass		approx. 70 g
Dimensions		9.7 x 70.4 x 68.2 mm (0.4 x 2.8 x 2.7 in)
Construction type		pluggable housing
Mounting		Terminal Base or Termination Board mounting on 35 mm DIN rail acc. to DIN EN 60715
<b>Data for application in connection with Ex-areas</b>		
EC-Type Examination Certificate		TÜV 99 ATEX 1449 X , for additional certificates see <a href="http://www.pepperl-fuchs.com">www.pepperl-fuchs.com</a>
Group, category, type of protection		$\text{Ex}$ II (1) G [Ex ia] IIC $\text{Ex}$ II (1) D [Ex iaD]
Voltage	U <sub>o</sub>	terminals 23, PA: 26 V ; terminals 13, PA: 20 V
Current	I <sub>o</sub>	terminals 23, PA: 87 mA ; terminals 13, PA: 51 mA
Power	P <sub>o</sub>	terminals 23, PA: 565 mW ; terminals 13, PA: 255 mW
<b>Supply</b>		
Maximum safe voltage	U <sub>m</sub>	250 V
<b>Directive conformity</b>		
Directive 94/9/EC		EN 60079-0:2009, EN 60079-11:2012, EN 60079-26:2007
<b>General information</b>		
Supplementary information		EC-Type Examination Certificate, Statement of Conformity, Declaration of Conformity, Attestation of Conformity and instructions have to be observed where applicable. For information see <a href="http://www.pepperl-fuchs.com">www.pepperl-fuchs.com</a> .
<b>Accessories</b>		
Designation		Terminal Base for 1 Zener Barrier: SB9101 Termination Board for 6 Zener Barriers: SB9106 Termination Board for 10 Zener Barriers: SB9100 grounding rail for 20 units: SB9220 grounding rail for 10 units: SB9221 grounding rail for 6 units: SB9222

Release date 2014-03-21 13:19 Date of issue 2014-03-24 545538\_eng.xml