

Features

- Direct PC interface
- 15 inch flat panel monitor
- Panel or rack mount in Class I, Div 2; Class II, Div 2; ATEX/IECEX Zone 2 areas
- Touchscreen options
- Antiglare and stainless options

Application

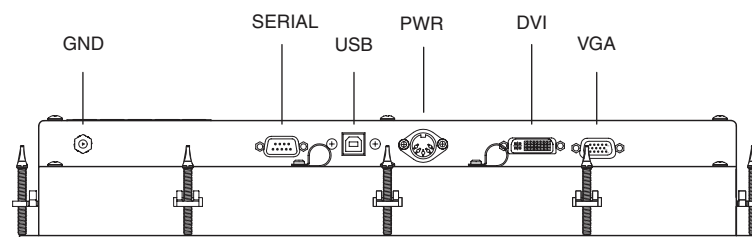
This product is a high-performance industrial flat panel monitor. It is designed as an operator interface device for continuous use in heavy-duty conditions.


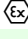
It incorporates an industrial grade, high performance active matrix LCD panel, an optional touchscreen, and will connect directly to any standard DVI, VGA, or NTSC video signal.

It is available in many configurations.



Connection



Supply	
Connection	180° 5-pin DIN
Input voltage	+ 12 V DC @ 2.5 A continuous
Indicators/operating means	
Display	
Type	5-wire resistive 5-wire hardened resistive
Screen diagonal	15 inch (38.1 cm)
Response time	Standard: 30 ms High-bright : 25 ms
Resolution	1024 x 768 (native mode), 800 x 600 , 640 x 480 text mode , SOG
Color depth	24 bit (16.7 M) color supported in any video mode
Contrast	Standard: 800:1 High-bright: 700:1
Brightness	Standard: 350 cd/m ² (nits) High-bright: 1200 cd/m ² (nits)
Reading angle	80° in all directions
Life span	back lamp life: 70,000 hrs
Input devices	15-pin VGA , 29-pin DVI, Optional interface to NTSC (camera, live video) via standard BNC connector
Touchscreen	5-wire resistive 5-wire hardened resistive
Interface	
Interface type	RS-232 serial or USB port to host computer via standard cable
Directive conformity	
Electromagnetic compatibility	
Directive 2004/108/EC	EN 61326-1:2006 EN 55011:2009+A1:2010
Ambient conditions	
Operating temperature	-20 ... 50 °C (-4 ... 122 °F) ambient, no active cooling devices required
Storage temperature	-20 ... 60 °C (-4 ... 140 °F)
Relative humidity	0 ... 90 %, non-condensing
Vibration resistance	5 ... 100 Hz , 1 g, 12 m/s ² , all axes
Impact resistance	30 g, 6 ms, all axes
Mechanical specifications	
Degree of protection	NEMA Type 4/12 (front face and seals). Type 4x with stainless option IP66
Installation	panel or rack mount
Mass	7.2 kg
Dimensions	Outer bezel: 345 mm x 430 mm (13.6 x 16.9 inch) Rack mount bezel: 355 mm x 483 mm (13.97 x 19.0 inch) Front bezel thickness: 2.5 mm (0.10 inch)
Overall depth	72 mm (2.85 inch) with recessed cable ways
Cut out dimensions	320 mm X 404 mm (12.6 inch x 15.9 inch)
Mounting	VESA 100 mm mounting pattern (peripheral mounting only)
Data for application in connection with hazardous areas	
EU-type examination certificate	DEMKO 14 ATEX1379X
Marking	 II 3G Ex nA nC IIC T4 Gc  II 3G Ex nA IIC T4 Gc
Directive conformity	
Directive 94/9/EC	EN 60079-0:2012+A11:2013 EN 60079-15:2010
International approvals	
UL approval	Class I/Div 2 Group ABCD Class II/Div 2 Group FG
IECEX approval	IECEX UL 14.0090X Ex nA IIC Tu Gc Ex nA nC IIC T4 Gc

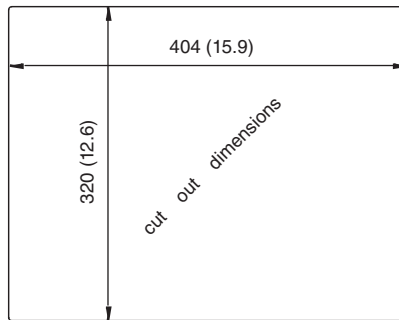
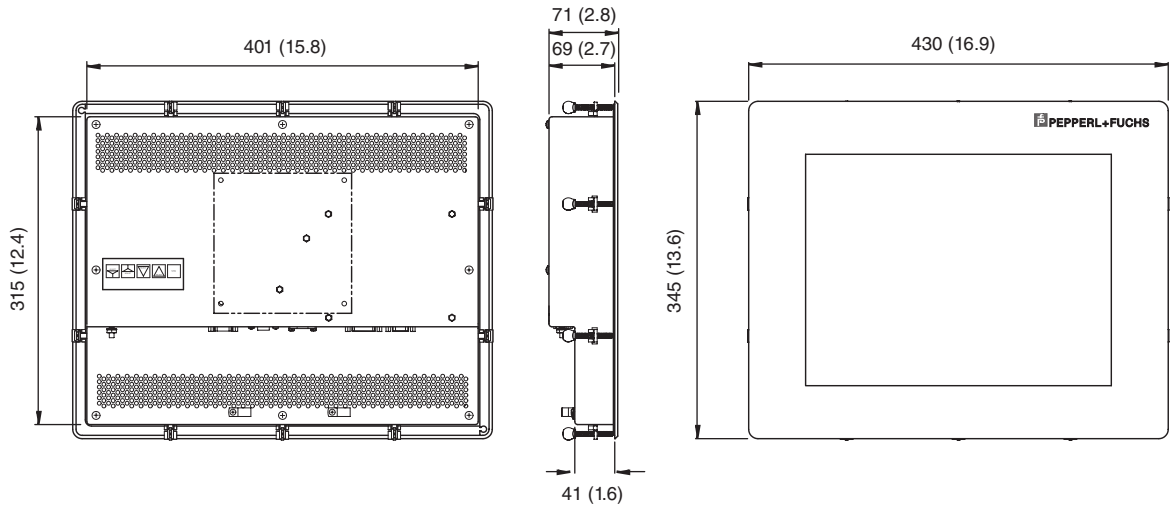
Supplementary information

Statement of Conformity, Declaration of Conformity and instructions have to be observed. For information see www.pepperl-fuchs.com.

Release date 2020-01-21 09:55 Date of issue 2020-01-21 547005_eng.xml

Refer to "General Notes Relating to Pepperl+Fuchs Product Information".

Dimensions



Accessories

- PS60-12-HZ
Power supply
- PSCBL*
Power cable
- SCBL*
Serial touchscreen cable
- UCBL*
USB touchscreen cable
- VCBL*
Video cable
- TSP15-5
Screen protector

Release date 2020-01-21 09:55 Date of issue 2020-01-21 547005_eng.xml

Refer to "General Notes Relating to Pepperl+Fuchs Product Information".

Pepperl+Fuchs Group
www.pepperl-fuchs.com

USA: +1 330 486 0002
pa-info@us.pepperl-fuchs.com

Germany: +49 621 776 2222
pa-info@de.pepperl-fuchs.com

Singapore: +65 6779 9091
pa-info@sg.pepperl-fuchs.com

Type code

D M 5 1 5 - A 0 - V 3 - S S - N T

