



# PC Workstation

## PC915 Series

- 15 inch TFT display w/ optional touch screen
- High-bright display for sunlight readability
- Seams continuously welded and ground smooth (Type 4/4X, IP66)
- Various keyboard/mouse options
- 100 mm VESA mount
- Class I, Div. 2 / ATEX Zone 2 approved
- Intel® Atom™ E3826 1.46 GHz

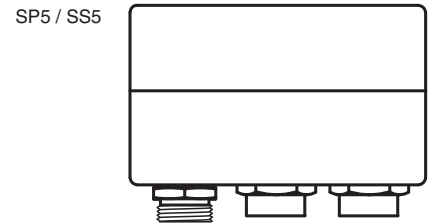
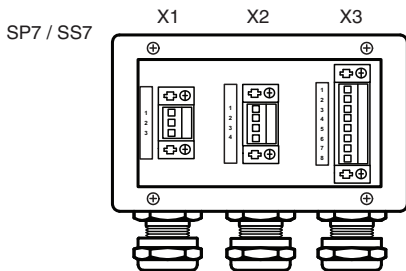
15 inch operator workstation



### Function

The PC915 operator workstation is designed for continuous use in harsh environments such as manufacturing, oil & gas, and chemical applications. The PC915 series features an Intel Atom E3826 1.46 GHz processor with available 120 GB SSD storage. The compact housing design allows for easy mounting using the industry standard 100 mm VESA mount. This 15" PC operator workstation features an optional touchscreen and keyboard with various mouse options.

### Connection



X1 Terminals	AC	DC
1.1	L	+
1.2	N	-
1.3	GND	GND

X2 Terminals	Description
2.1	VCC RD
2.2	D + GN
2.3	D - WH
2.4	GND BK

X3 Terminals	Description
3.1	BI_DA + WH/GN
3.2	BI_DA - GN
3.3	BI_DB + WH/OR
3.4	BI_DC + BU
3.5	BI_DC - WH/BU
3.6	BI_DB - OR
3.7	BI_DD + WH/BN
3.8	BI_DD - BN

Release date: 2022-03-30 Date of issue: 2022-03-30 Filename: 5477090\_eng.pdf

Refer to "General Notes Relating to Pepperl+Fuchs Product Information".

Pepperl+Fuchs Group  
www.pepperl-fuchs.com

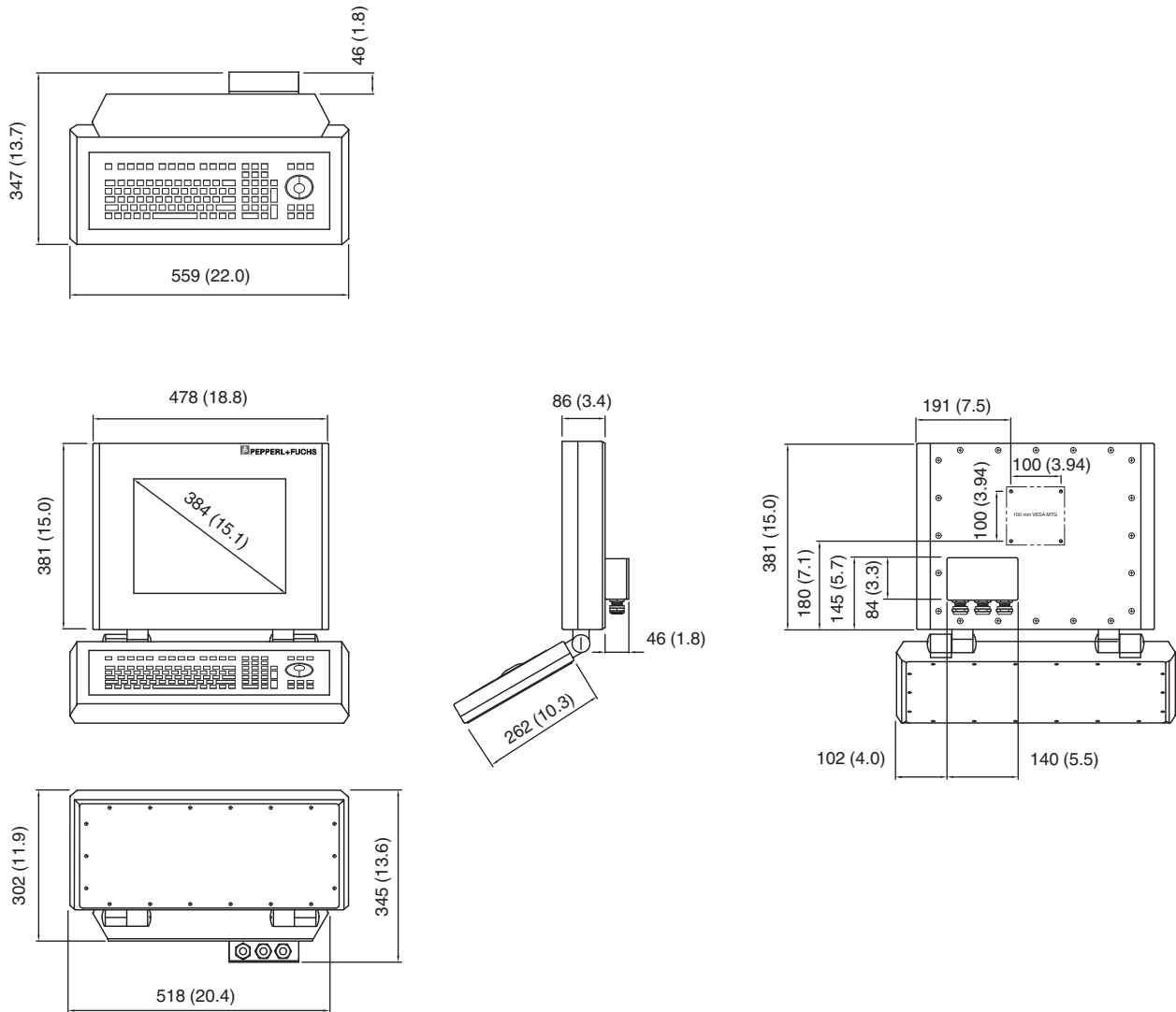
USA: +1 330 486 0002  
pa-info@us.pepperl-fuchs.com

Germany: +49 621 776 2222  
pa-info@de.pepperl-fuchs.com

Singapore: +65 6779 9091  
pa-info@sg.pepperl-fuchs.com

**PF** PEPPERL+FUCHS

Dimensions



Release date: 2022-03-30 Date of issue: 2022-03-30 Filename: 547090\_eng.pdf

Technical Data

Hardware

Processor	Intel® Atom™ E3826 1.46 GHz
RAM	up to 8 GB
Mass storage	120 GB SSD

Supply

Power consumption	2.5 A max, 100 ... 240 VAC, 50 ... 60 Hz, or 20-30 VDC
-------------------	--

Indicators/operating means


Display
---------

Refer to "General Notes Relating to Pepperl+Fuchs Product Information".

## Technical Data

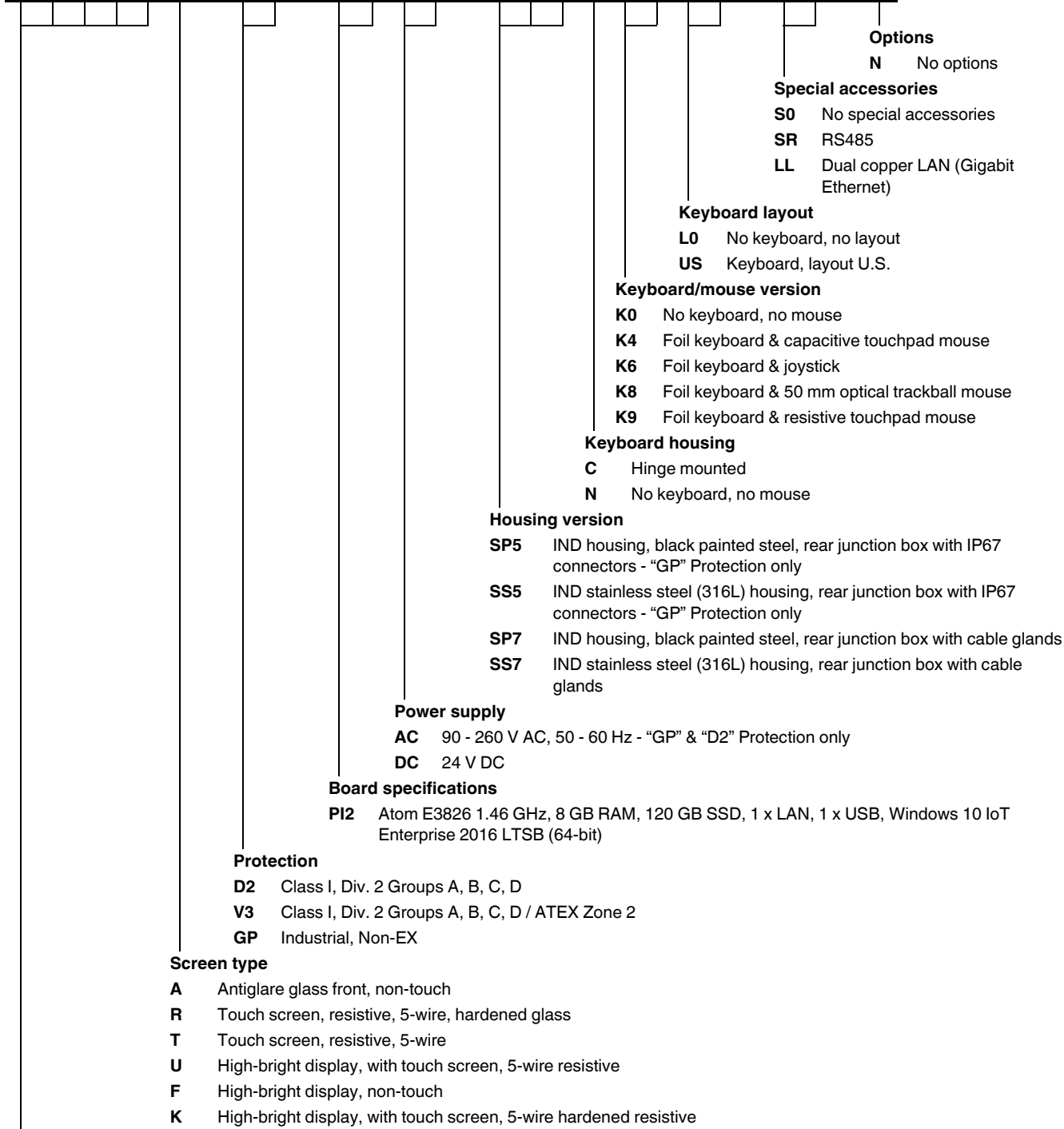
Screen diagonal	15 inch (381 mm)
Response time	Standard: 30 ms High-bright : 25 ms
Resolution	1024 x 768
Color depth	24 bit (16.7 M) color
Contrast	Standard: 800:1 High-bright: 700:1
Brightness	Standard: 350 cd/m <sup>2</sup> (nits) High-bright: 1200 cd/m <sup>2</sup> (nits)
Reading angle	160° in all directions
Life span	back lamp life: 50,000 hrs typical half life
Input devices	
Touchscreen	5-wire resistive 5-wire hardened resistive
Keyboard	touchpad , optical trackball (50 mm) , joystick connections : USB
<b>Interface</b>	
Interface type	1 x RJ-45 (GB ethernet) , 1 x USB 2.0 , 1 x power
<b>Directive conformity</b>	
Electromagnetic compatibility	
Directive 89/336/EEC	EN55022A, EN61000-6-2, EN61000-3-2, EN61000-3-3
<b>Software</b>	
Operating system	Windows® 10 IoT Enterprise 2016 LTSC (x 64)
<b>Ambient conditions</b>	
Operating temperature	-20 ... 50 °C (-4 ... 122 °F)
Storage temperature	-20 ... 60 °C (-4 ... 140 °F)
Relative humidity	0 ... 90% (noncondensing)
Shock resistance	30g, 11 ms, all axis
Vibration resistance	5 ... 100 Hz 1G, 12 m/s <sup>2</sup>
<b>Mechanical specifications</b>	
Degree of protection	Type 4X ( stainless steel ) Type 4 ( painted steel ) IP66
Material	Main enclosure: painted black steel or 316L stainless steel Main enclosure (rear cover): 6062 anodized aluminum, marine grade
Installation	100 mm ( 3.9 inch ) VESA mount
Mass	Main unit: 11.3 kg (25 lb) without keyboard; 16.8 kg (37 lb) with keyboard
Dimensions	Main enclosure: 478 x 381 x 86 mm (18.8 x 15.0 x 3.4 inch), junction box adds 43 mm (1.7 inch) to depth Keyboard enclosure: 559 x 254 x 51 mm (22.0 x 10.0 x 2.0 inch)
<b>Data for application in connection with hazardous areas</b>	
EU-type examination certificate	
Marking	Ⓔ II 3G Ex ic nA IIC T4 Gc
<b>International approvals</b>	
ETL approval	Class I, Div. 2 Groups A, B, C, D; T4

## Accessories

	<b>VESA CABLE FEEDTHROUGH</b>	Slimline adapter plate
---	-------------------------------	------------------------

**Type Code**

**P C 9 1 5 A - D 2 - P D 1 A C - S P 5 C K 0 L 0 - S 0 - N**



**PC915** PC monitor, 15 in (381 mm), XGA (1024 x 768 pixels)

Release date: 2022-03-30 Date of issue: 2022-03-30 Filename: 547090\_eng.pdf