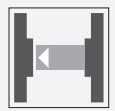




# Thru-beam sensor

## INNO-COM-10M-E3-V31-SET

WITTSensoric

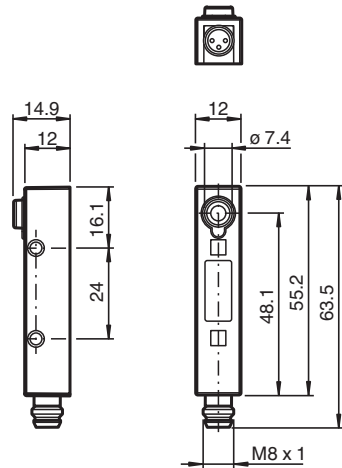


- Sensing range up to 10 m
- Self-monitoring (type 4 according to IEC/EN 61496-1)
- Red transmission light
- Clearly visible LED functional display and pre-fault indicator on the receiver
- Sturdy housing
- Operation on control units of SB4 (SafeBox)

INNO-COM thru-beam sensor



### Dimensions



### Technical Data

System components	
Emitter	INNO-SAFE-T
Receiver	INNO-SAFE-R
General specifications	
Effective detection range	0.5 ... 10 m
Threshold detection range	14 m
Number of protective field beams	1
Light source	IRED
Light type	modulated infrared light 850 nm
Safety type according to IEC/EN 61496	4
Marking	CE
Opening angle	± 4 °
Optical face	frontal
Ambient light limit	100000 Lux
Indicators/operating means	
Operation indicator	Emitter: LED green

Release date: 2024-02-14 Date of issue: 2024-02-15 Filename: 64316410\_eng.pdf

Refer to "General Notes Relating to Pepperl+Fuchs Product Information".

Pepperl+Fuchs Group  
www.pepperl-fuchs.com

USA: +1 330 486 0001  
fa-info@us.pepperl-fuchs.com

Germany: +49 621 776 1111  
fa-info@de.pepperl-fuchs.com

Singapore: +65 6779 9091  
fa-info@sg.pepperl-fuchs.com

**PF** PEPPERL+FUCHS

## Technical Data

Function indicator		Emitter: LED green ( off in test mode ) Receiver: LED red, light with free light beam
<b>Electrical specifications</b>		
Operating voltage	$U_B$	10 ... 30 V DC
Operating current	$I_B$	Emitter: 30 mA Receiver: 15 mA
<b>Output</b>		
Output type		PNP
Switching type		light-on
Signal output		max. 30 ... 40 mA
Short-circuit-proof		yes
Energized/De-energized delay		typ. 100 ms
Response time		≤ 2,2 ms
<b>Conformity</b>		
Product standard		EN 61000-6-2, EN 61000-6-3
<b>Ambient conditions</b>		
Ambient temperature		-25 ... 55 °C (-13 ... 131 °F)
Storage temperature		-25 ... 75 °C (-13 ... 167 °F)
<b>Mechanical specifications</b>		
Degree of protection		IP67 according to EN 60529
Connection		M8 connector, 4-pin
<b>Material</b>		
Housing		ABS impact resistant , V0 according UL94
Mass		per 12 g
<b>Dimensions</b>		
Height		48 mm
Width		12 mm
Depth		12 mm