



Wireless ultrasonic sensor

WS-UCC2500-F406-B15-B41-01-01

- Battery operated
- Data transfer via LoRaWAN
- Bluetooth interface for commissioning, parameterization and diagnostics

Wireless ultrasonic sensor with LoRaWAN interface



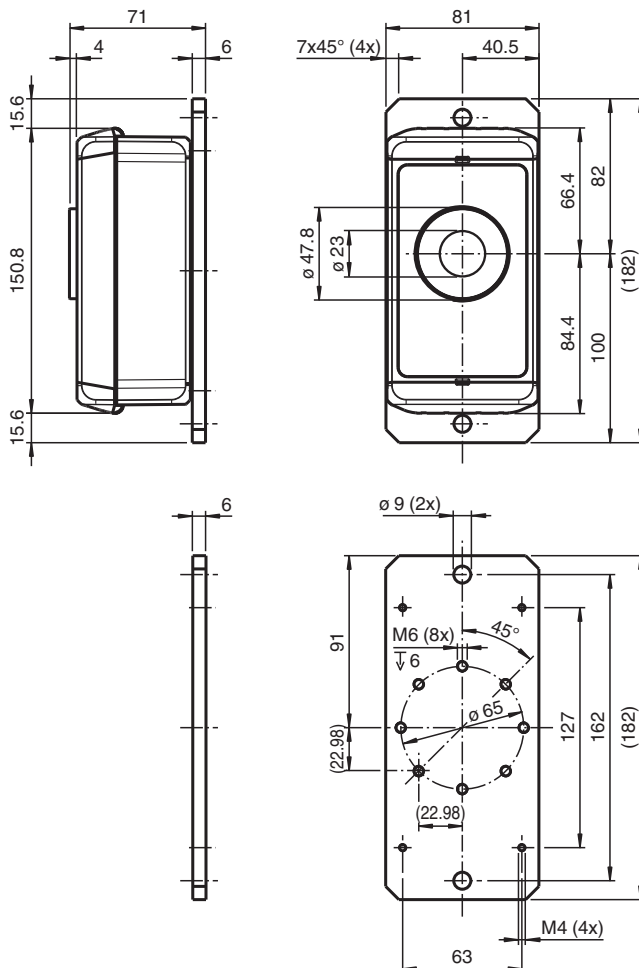
Function

The wireless ultrasonic sensor can be used for remote monitoring of fill level.

The fill level, but also other parameters such as geo data and sensor status data, are measured or recorded in configurable time intervals and transmitted to a counterpart in the LoRa network from where they are available for pure display or further processing.

The sensor is parameterised via a Bluetooth interface using a mobile device (smartphone or tablet) and the WILSENcontrol app belonging to the sensor.

Dimensions



Release date: 2020-09-24 Date of issue: 2020-09-24 Filename: 70103007_eng.pdf

Refer to "General Notes Relating to Pepperl+Fuchs Product Information".

Pepperl+Fuchs Group
www.pepperl-fuchs.com

USA: +1 330 486 0001
fa-info@us.pepperl-fuchs.com

Germany: +49 621 776 1111
fa-info@de.pepperl-fuchs.com

Singapore: +65 6779 9091
fa-info@sg.pepperl-fuchs.com

PF PEPPERL+FUCHS

Technical Data

General specifications	
Radio network	LoRaWAN
Measurement frequency	5 min ... 24 h
Main sensor	
Detection type	ultrasonic
Sensing range	150 ... 2500 mm
Dead band	0 ... 150 mm
Resolution	10 mm
Accuracy	± 3 % of full-scale value over the entire temperature range
Integrated sensor technology	
GPS sensor	for geo-positioning
Temperature sensor	
Resolution	0.5 °C
Accuracy	± 2 °C
Electrical specifications	
Power supply	high capacity lithium battery 3.6 V , 13000 mAh battery lifetime approx. 5 years under Central European environmental conditions (- 25 °C + 70 °C) 3 measurements/day, 1 geolocation/day with 1 wireless transmission/day with sufficient network coverage.
Interface 1	
Interface type	Bluetooth 5.0 LE
Transmitter radiated power	+ 8 dBm
Frequency range	2402 ... 2480 MHz
Interface 2	
Interface type	LoRaWAN
Specification	LoRaWAN interface specification V1.0.3
Device type	LoRaWAN class A device
Transmitter frequency	868 MHz
Transmitter radiated power	+ 8 dBm
Frequency range	863 ... 870 MHz (Europe)
Transfer frequency	5 min ... 24 h
Directive conformity	
Electromagnetic compatibility	
Directive 2014/30/EU	EN 301 489-1 V2.2.0:2017 EN 301 489-3 V2.1.1:2019 EN 301 489-17 V3.2.0:2017 EN 301 489-19 V2.1.0:2017
Radio and telecommunication terminal equipment	
Directive 2014/53/EU	EN 300 220-2 V3.1.1:2017 EN 300 328 V2.1.1:2016 EN 303 413 V1.1.1:2017
RoHS	
Directive 2011/65/EU (RoHS)	EN 50581:2012-09
Conformity	
Mech. capacity	EN 60947-5-2:2007 + A1:2012 IEC 60947-5-2:2007 + A1:2012
Shock resistance	EN 60947-5-2:2007 + A1:2012 IEC 60947-5-2:2007 + A1:2012
Vibration resistance	EN 60947-5-2:2007 + A1:2012 IEC 60947-5-2:2007 + A1:2012
Climatic conditions	EN 60947-5-2:2007 + A1:2012 IEC 60947-5-2:2007 + A1:2012
Ambient conditions	
Ambient temperature	-25 ... 70 °C (-13 ... 158 °F)
Storage temperature	-40 ... 85 °C (-40 ... 185 °F)
Mechanical specifications	

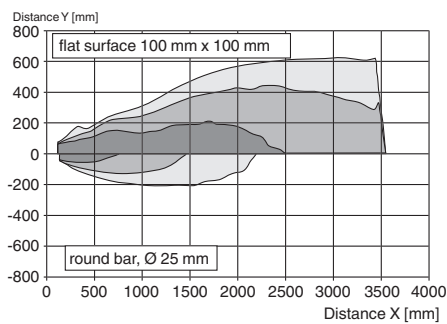
Release date: 2020-09-24 Date of issue: 2020-09-24 Filename: 70103007_eng.pdf

Technical Data

Degree of protection	IP66 / IP67
Material	
Housing	PC (UL94-V0)
Transducer	PTFE coated housing: PBT
Mass	600 g
Factory settings	
Beam width	medium (profile B)
Transfer frequency	24 h
Measurement frequency	8 h

Characteristic Curve

Characteristic response curve



Release date: 2020-09-24 Date of issue: 2020-09-24 Filename: 70103007_eng.pdf

Additional Information

Further Documentation

For commissioning, parameterization and usage of the sensor, there are also a brief commissioning instructions, a manual and further technical information for download from the product page at www.pepperl-fuchs.com.

Release date: 2020-09-24 Date of issue: 2020-09-24 Filename: 70103007_eng.pdf

Refer to "General Notes Relating to Pepperl+Fuchs Product Information".

Pepperl+Fuchs Group
www.pepperl-fuchs.com

USA: +1 330 486 0001
fa-info@us.pepperl-fuchs.com

Germany: +49 621 776 1111
fa-info@de.pepperl-fuchs.com

Singapore: +65 6779 9091
fa-info@sg.pepperl-fuchs.com

 **PEPPERL+FUCHS**