



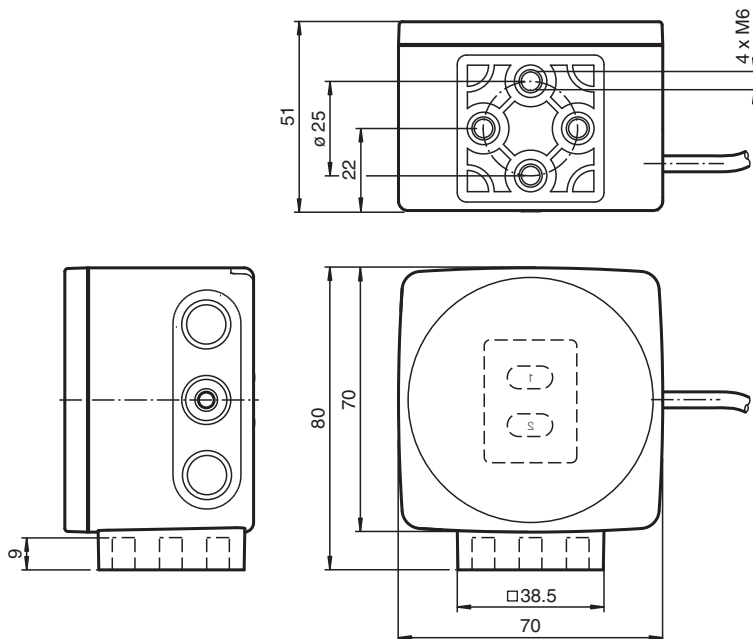
Optical reading head PGV100R-F200-R4-1,5M

- Mechanically rugged: no wearing parts, long operating life, maintenance-free
- Serial interface RS 485, addressable
- Non-contact positioning on Data Matrix code tape
- Noncontact positioning with Data Matrix TAGs
- Reading of Data Matrix control codes
- Visible red light
- Fixed cable
- Terminating resistor, switchable

Read head for incident light positioning system



Dimensions



Technical Data

General specifications

Passage speed	v	≤ 8 m/s
Measuring length		max. 10000 m
Light type		Integrated LED lightning (red)
Scan rate		40 s ⁻¹
Latency		50 ms
Read distance		100 mm
Depth of focus		± 30 mm
Reading field		120 mm x 80 mm
Resolution		0.1 mm
Ambient light limit		100000 Lux
Accuracy		± 0.2 mm

Release date: 2024-12-18 Date of issue: 2024-12-18 Filename: 70103701_eng.pdf

Refer to "General Notes Relating to Pepperl+Fuchs Product Information".

Pepperl+Fuchs Group
www.pepperl-fuchs.com

USA: +1 330 486 0001
fa-info@us.pepperl-fuchs.com

Germany: +49 621 776 1111
fa-info@de.pepperl-fuchs.com

Singapore: +65 6779 9091
fa-info@sg.pepperl-fuchs.com

PF PEPPERL+FUCHS

Technical Data

Nominal ratings			
Camera			
Type		CMOS , Global shutter	
Processor			
Clock pulse frequency		600 MHz	
Speed of computation		4800 MIPS	
Digital resolution		32 Bit	
Functional safety related parameters			
MTTF		68 a	
MTTF _d		136 a	
MTBF		68 a	
Mission Time (T _M)		20 a	
Diagnostic Coverage (DC)		0 %	
Indicators/operating means			
LED indication		2 LEDs	
Electrical specifications			
Operating voltage	U _B	15 ... 30 V DC , PELV	
No-load supply current	I ₀	max. 200 mA	
Power consumption	P ₀	3 W	
Interface			
Interface type		RS 485 interface	
Data output code		binary code	
Transfer rate		115200 Bit/s	
Termination		Switchable terminal resistor	
Query cycle time		≥ 10 ms	
Conformity			
Photobiological safety		exempt group according to EN 62471:2008	
Standard conformity			
Emitted interference		EN 61000-6-4:2007+A1:2011	
Noise immunity		EN 61000-6-2:2005+AC:2005	
Shock resistance		EN 60068-2-27:2009	
Vibration resistance		EN 60068-2-6:2008	
Approvals and certificates			
CE conformity		CE	
UL approval		cULus Listed, Class 2 Power Source, Type 1 enclosure	
CCC approval		CCC approval / marking not required for products rated ≤36 V	
Ambient conditions			
Operating temperature		0 ... 60 °C (32 ... 140 °F) , -20 ... 60 °C (-4 ... 140 °F) (noncondensing; prevent icing on the lens!)	
Storage temperature		-40 ... 85 °C (-40 ... 185 °F)	
Relative humidity		90 % , noncondensing	
Mechanical specifications			
Connection type		Open cable end	
Degree of protection		IP40	
Material			
Housing		PC/ABS	
Cable		PVC	
Cable			
Sheath diameter		5.8 mm	
Strain relief		60 N	
Length	L	1.5 m	
Mass		approx. 200 g	
Dimensions			

Release date: 2024-12-18 Date of issue: 2024-12-18 Filename: 70103701_eng.pdf

Refer to "General Notes Relating to Pepperl+Fuchs Product Information".

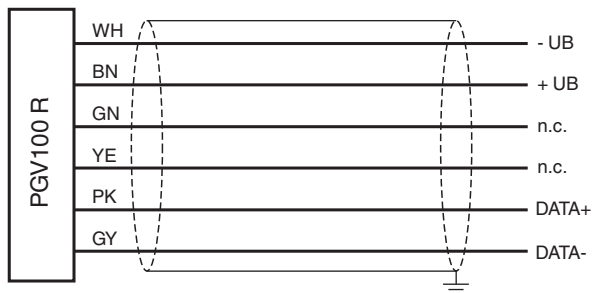
Pepperl+Fuchs Group
www.pepperl-fuchs.comUSA: +1 330 486 0001
fa-info@us.pepperl-fuchs.comGermany: +49 621 776 1111
fa-info@de.pepperl-fuchs.comSingapore: +65 6779 9091
fa-info@sg.pepperl-fuchs.com

PEPPERL+FUCHS

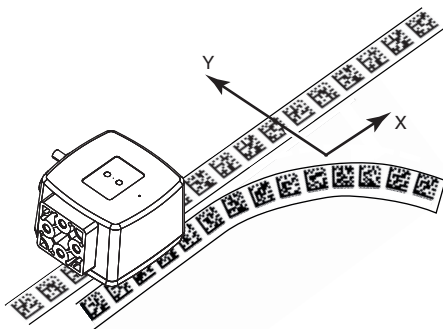
Technical Data

Height	70 mm
Width	70 mm
Depth	50 mm
Factory settings	
X resolution (protocol)	0.1 mm
Y resolution (protocol)	0.1 mm
Angle resolution	0.1 °
Baud rate	115200 Bit/s
Terminating resistor	On
Read head address	0

Connection



Function Principle



Release date: 2024-12-18 Date of issue: 2024-12-18 Filename: 70103701_eng.pdf

Refer to "General Notes Relating to Pepperl+Fuchs Product Information".

Pepperl+Fuchs Group
www.pepperl-fuchs.com

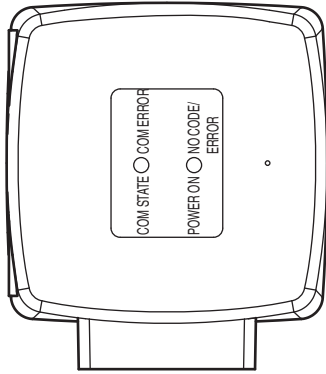
USA: +1 330 486 0001
fa-info@us.pepperl-fuchs.com

Germany: +49 621 776 1111
fa-info@de.pepperl-fuchs.com

Singapore: +65 6779 9091
fa-info@sg.pepperl-fuchs.com

PF PEPPERL+FUCHS

Function Principle



Release date: 2024-12-18 Date of issue: 2024-12-18 Filename: 70103701_eng.pdf

Refer to "General Notes Relating to Pepperl+Fuchs Product Information".

Pepperl+Fuchs Group
www.pepperl-fuchs.com

USA: +1 330 486 0001
fa-info@us.pepperl-fuchs.com

Germany: +49 621 776 1111
fa-info@de.pepperl-fuchs.com

Singapore: +65 6779 9091
fa-info@sg.pepperl-fuchs.com

 **PEPPERL+FUCHS**