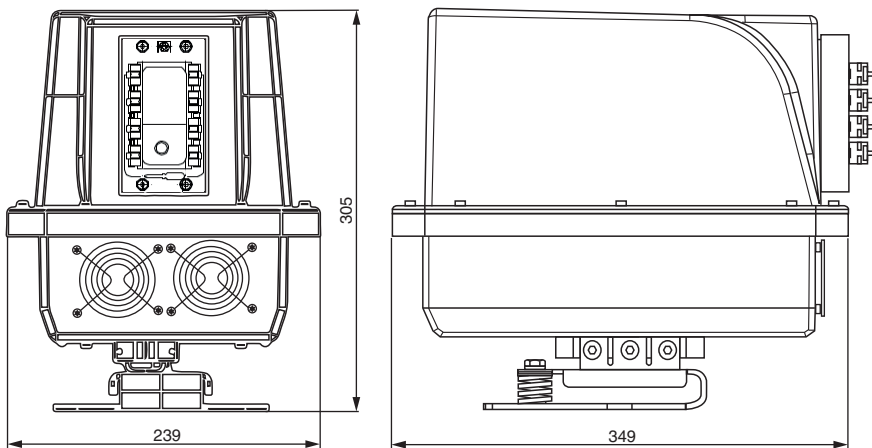


Climate control housing VPH-F200-T

- over temperature protection
- Thermostatic regulation

Climate control housing to extend the temperature range of the sensor used

Dimensions



Technical Data

Electrical specifications

Operating voltage	U_B	24 V DC +/- 10 %
Operating current	I_B	max. 10 A
Power consumption	P_0	200 W

Ambient conditions

Operating temperature	-40 ... 80 °C (-40 ... 176 °F)
-----------------------	--------------------------------

Mechanical specifications

Housing width	239 mm
Housing height	305 mm
Housing depth	349 mm

Release date: 2022-03-30 Date of issue: 2022-03-30 Filename: 70103755_eng.pdf

Refer to "General Notes Relating to Pepperl+Fuchs Product Information".

Pepperl+Fuchs Group
www.pepperl-fuchs.com

USA: +1 330 486 0001
fa-info@us.pepperl-fuchs.com

Germany: +49 621 776 1111
fa-info@de.pepperl-fuchs.com





Singapore: +65 6779 9091
fa-info@sg.pepperl-fuchs.com

pf PEPPERL+FUCHS

Technical Data

Degree of protection	IP20
Material	
Housing	PA 6
Mounting foot	Stainless steel 1.4541
Mass	approx. 8000 g
General information	
Note	Prevent condensation from forming on the front panel by ensuring that the VPH enclosure is not subjected to any major temperature fluctuations.

Matching System Components

	PXV100-F200-B17-V1D	Read head for incident light positioning system
	PXV100-F200-B25-V1D	Read head for incident light positioning system
	PXV100-F200-R4-V19	Read head for incident light positioning system
	PXV100S-F200-SSI-V19	Read head for incident light positioning system