



PROFINET IO Gateway

ICDM-RX/PN-DB9/RJ45-DIN

- DIN-rail mounting and DB9 serial connector
- Web-based configuration
- RS-232/422/485 software selectable interfaces
- PROFINET IO: connect serial and Ethernet TCP/IP devices to PROFINET IO controllers and TCP/IP applications
- NEMA TS2 Certified

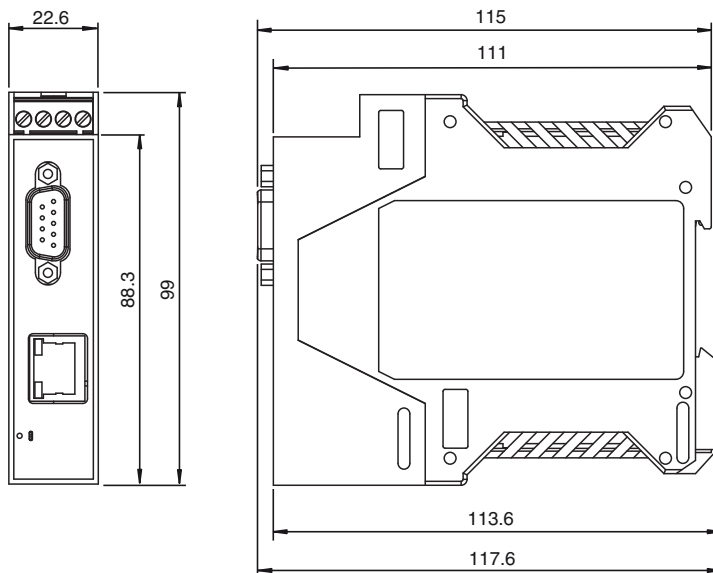
PROFINET IO Gateway 1-port DIN Rail DB9



Function

The ICDM-RX/PN product family enables connection of serial devices (RS-232 / RS-422 / RS-485) or Ethernet TCP/IP devices to an Industrial PROFINET IO network. Highly advanced raw/ASCII device interface functionality simplifies PLC programming and ensures robust operation. These features greatly simplify connecting devices such as barcode scanners, RFID readers, weigh scales, vision systems, printers, encoders, and sensors to PLCs. The integrated webserver enables complete configuration of all module parameters like serial interface, baud rate, or delimiting characters. Products are available in different versions for DB9 or screw terminal connection.

Dimensions



Technical Data

General specifications

UL File Number	E360395
MTBF	61.4 a

Indicators/operating means

Release date: 2024-04-25 Date of issue: 2024-04-25 Filename: 70104873_eng.pdf

Refer to "General Notes Relating to Pepperl+Fuchs Product Information".

Pepperl+Fuchs Group
www.pepperl-fuchs.com

USA: +1 330 486 0001
fa-info@us.pepperl-fuchs.com

Germany: +49 621 776 1111
fa-info@de.pepperl-fuchs.com

Singapore: +65 6779 9091
fa-info@sg.pepperl-fuchs.com

PEPPERL+FUCHS

Technical Data

LED indication		see manual
Electrical specifications		
Rated operating voltage	U _e	5 ... 30 V DC
General information		Redundant power
Nominal voltage		24 V DC
Interface		
Interface type		Software selectable interfaces: RS-232 , RS-422 , RS-485 (2 and 4-wire)
Physical		1 x DB9
Protocol		Raw serial
Supported baud rates		300 bps to 230Kbps
Interface 1		
Interface type		Industrial Ethernet
Physical		1 x RJ45
Protocol		PROFINET IO
Additional protocols		ARP, BOOTP, DHCP/RARP, HTTP, HTTPS, SSH, SSL/TLS, ICMP, RFC 1006 (ISO over TCP), SNMP (MIB-II), TCP/IP & UDP socket services, Telnet, and TFTP, and supports IP multicast data transmission
Transfer rate		10/100 Mbps
Directive conformity		
Electromagnetic compatibility		
Directive 2014/30/EU		EN 61000-6-2:2005 , EN 610006-4:2007 , EN 610006-4/A1:2011
RoHS		EN IEC 63000:2018
Standard conformity		
Degree of protection		NEMA TS2
Electrical safety		CSA C22.2 No. 61010-1-12 / CSA C22.2 No. 61010-1-201 UL 61010-1 / UL 61010-1-201
Emitted interference		EN 61000-6-4, EN 55032, FCC Part 15 Subpart B, ICES-003, AS/NZS CISPR 32
Noise immunity		EN 61000-6-2
Ambient conditions		
Ambient temperature		-40 ... 75 °C (-40 ... 167 °F)
Storage temperature		-40 ... 85 °C (-40 ... 185 °F)
Relative humidity		max. 95 %
Altitude		0 ... 3048 m
Mechanical specifications		
Degree of protection		IP20
Connection		Power Supply: screw terminals Fieldbus: 1 x RJ45 Inputs/outputs: 1 x DB9
Material		
Housing		Polyamide, UL94V-0
Mass		113.4g
Dimensions		
Height		99.1 mm
Width		22.9 mm
Length		114.8 mm
Construction type		Cabinet module
Mounting		DIN mounting rail

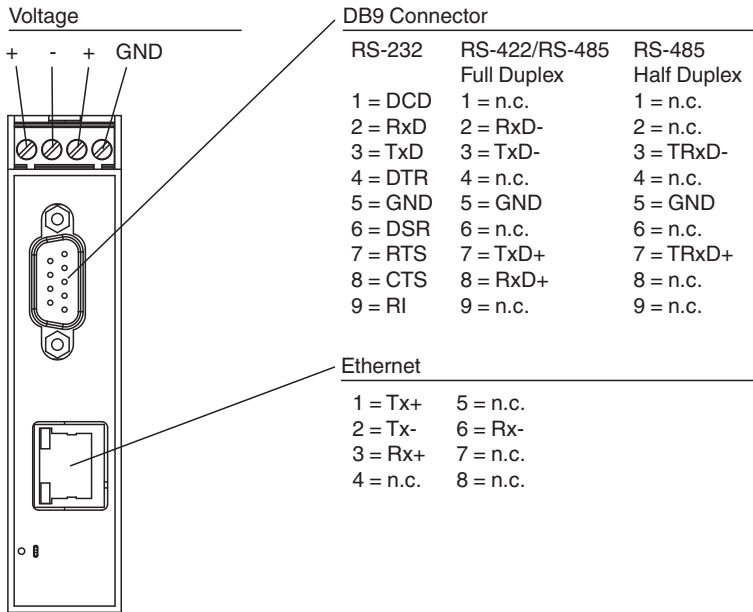
Release date: 2024-04-25 Date of issue: 2024-04-25 Filename: 70104873_eng.pdf

Refer to "General Notes Relating to Pepperl+Fuchs Product Information".

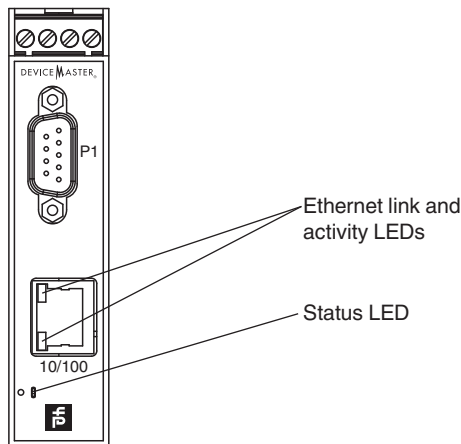
Pepperl+Fuchs Group
www.pepperl-fuchs.comUSA: +1 330 486 0001
fa-info@us.pepperl-fuchs.comGermany: +49 621 776 1111
fa-info@de.pepperl-fuchs.comSingapore: +65 6779 9091
fa-info@sg.pepperl-fuchs.com

PEPPERL+FUCHS

Connection



Assembly



Release date: 2024-04-25 Date of issue: 2024-04-25 Filename: 70104873_eng.pdf