

# Modbus Gateway

## ICDM-RX/MOD-4DB9/2RJ45-DIN

- DIN-rail mounting and DB9 serial connector
- Pure Modbus, multiple Modbus server and client types, remote, local, and private devices
- RS-232/422/485 software selectable interfaces
- Web-based configuration
- NEMA TS2 Certified

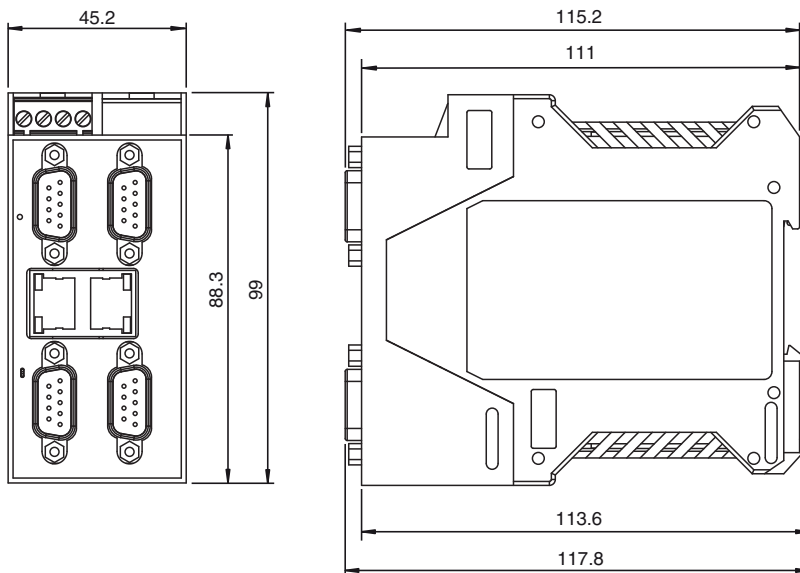
### Modbus Gateway 4-port DIN Rail DB9



### Function

The ICDM-RX/MOD product family provides an innovative network-wide Modbus connectivity from a wide variety of Modbus gateways to a wide variety of local and remote Modbus clients. Advanced features include gateway-to-gateway communication, private serial bus connectivity, write protection, and device ID aliasing. With simplified configuration pages and advanced routing, it provides unmatched Modbus connectivity. The integrated webserver enables complete configuration of all module parameters like serial interface, baud rate, data bits, stop bits, or flow control. Products are available in different versions for DB9 or screw terminal connection.

### Dimensions



### Technical Data

General specifications	
UL File Number	E360395
MTBF	42.3 a
Indicators/operating means	

Release date: 2024-04-25 Date of issue: 2024-04-25 Filename: 70104884\_eng.pdf

Refer to "General Notes Relating to Pepperl+Fuchs Product Information".

Pepperl+Fuchs Group  
www.pepperl-fuchs.com

USA: +1 330 486 0001  
fa-info@us.pepperl-fuchs.com

Germany: +49 621 776 1111  
fa-info@de.pepperl-fuchs.com

Singapore: +65 6779 9091  
fa-info@sg.pepperl-fuchs.com



## Technical Data

LED indication		see manual
<b>Electrical specifications</b>		
Rated operating voltage	U <sub>e</sub>	5 ... 30 V DC
Nominal voltage		24 V DC
<b>Interface</b>		
Interface type		Software selectable interfaces: RS-232 , RS-422 , RS-485 (2 and 4-wire)
Physical		4 x DB9
Protocol		MODBUS RTU
Supported baud rates		300 bps to 230Kbps
<b>Interface 1</b>		
Interface type		Industrial Ethernet
Physical		2 x RJ45
Protocol		MODBUS TCP/IP
Additional protocols		ARP, BOOTP, DHCP/RARP, HTTP, HTTPS, SSH, SSL/TLS, ICMP, RFC 1006 (ISO over TCP), SNMP (MIB-II), TCP/IP & UDP socket services, Telnet, and TFTP, and supports IP multicast data transmission
Transfer rate		10/100 Mbps
<b>Directive conformity</b>		
Electromagnetic compatibility		
Directive 2014/30/EU		EN 61000-6-2:2005 , EN 610006-4:2007 , EN 610006-4/A1:2011
RoHS		EN IEC 63000:2018
<b>Standard conformity</b>		
Degree of protection		NEMA TS2
Electrical safety		CSA C22.2 No. 61010-1-12 / CSA C22.2 No. 61010-1-201 UL 61010-1 / UL 61010-1-201
Emitted interference		EN 61000-6-4, EN 55032, FCC Part 15 Subpart B, ICES-003, AS/NZS CISPR 32
Noise immunity		EN 61000-6-2
<b>Ambient conditions</b>		
Ambient temperature		-40 ... 75 °C (-40 ... 167 °F)
Storage temperature		-40 ... 85 °C (-40 ... 185 °F)
Relative humidity		max. 95 %
Altitude		0 ... 3048 m
<b>Mechanical specifications</b>		
Degree of protection		IP20
Connection		Power Supply: screw terminals Fieldbus: 2 x RJ45 Inputs/outputs: 4 x DB9
Material		
Housing		Polyamide, UL94V-0
Mass		204g
Dimensions		
Height		99.1 mm
Width		45.7 mm
Length		116.8 mm
Construction type		Cabinet module
Mounting		DIN mounting rail

Release date: 2024-04-25 Date of issue: 2024-04-25 Filename: 70104884\_eng.pdf

Refer to "General Notes Relating to Pepperl+Fuchs Product Information".

Pepperl+Fuchs Group  
www.pepperl-fuchs.com

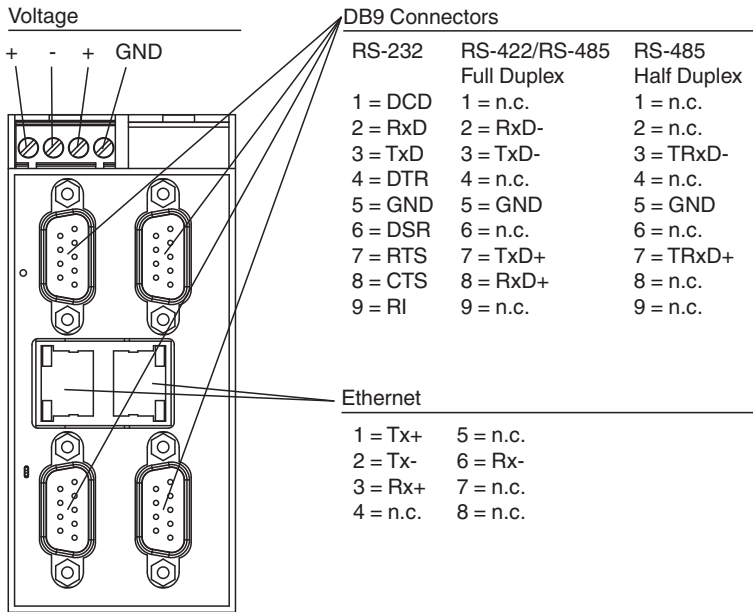
USA: +1 330 486 0001  
fa-info@us.pepperl-fuchs.com

Germany: +49 621 776 1111  
fa-info@de.pepperl-fuchs.com

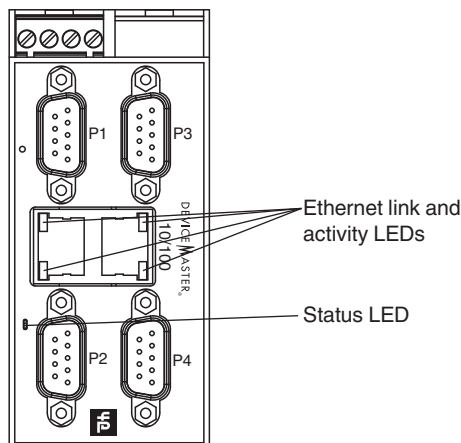
Singapore: +65 6779 9091  
fa-info@sg.pepperl-fuchs.com

 PEPPERL+FUCHS

Connection



Assembly



Release date: 2024-04-25 Date of issue: 2024-04-25 Filename: 70104884\_eng.pdf