

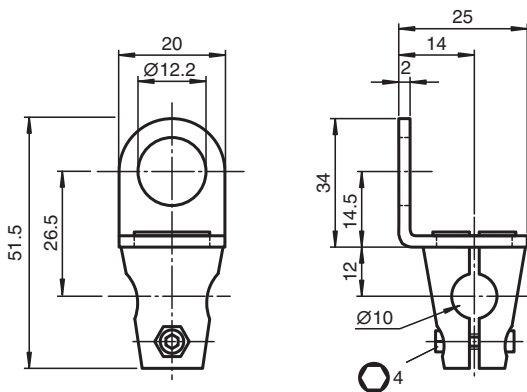


## Mounting aid MH 01-M12 D10

- Suitable for M12 sensors
- Simple and fast mounting

Mounting brackets for sensors

### Dimensions



### Technical Data

#### General specifications

Inside diameter	10 mm
-----------------	-------

#### Mechanical specifications

Material	Clamping cylinder: Die-cast zinc Support bracket: Steel
----------	--

Note	rod not included
------	------------------

Release date: 2023-11-16 Date of issue: 2023-11-16 Filename: 70105580\_eng.pdf

Refer to "General Notes Relating to Pepperl+Fuchs Product Information".

Pepperl+Fuchs Group  
www.pepperl-fuchs.com

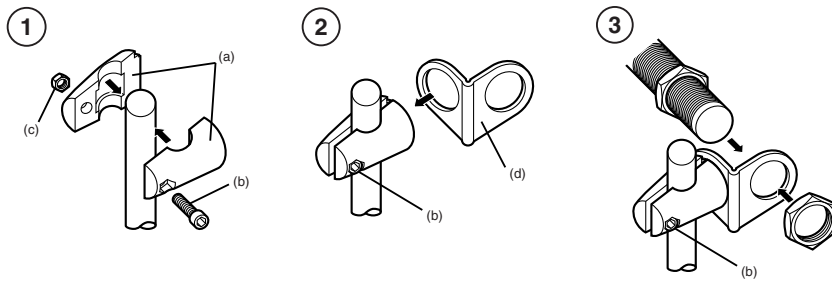
USA: +1 330 486 0001  
fa-info@us.pepperl-fuchs.com

Germany: +49 621 776 1111  
fa-info@de.pepperl-fuchs.com

Singapore: +65 6779 9091  
fa-info@sg.pepperl-fuchs.com

**PF** PEPPERL+FUCHS

**Mounting**



Fasten the two parts of the mounting clamp (a) loosely by means of the screw (b) and the nut (c) supplied.

Attach the mounting bracket (d) and then tighten the screw (b) in such a way that the bracket can still be turned.

Tighten the screw fully after the sensor has been mounted and aligned.

Release date: 2023-11-16 Date of issue: 2023-11-16 Filename: 70105580\_eng.pdf