



Voltage limiter VAZ-G10-LIMITER

- One piece housing
- Simple and fast mounting
- Limitation of the voltage feedback
- Gold-plated and machined contacts
- Degree of protection IP68 / IP69K

Voltage limiter G10

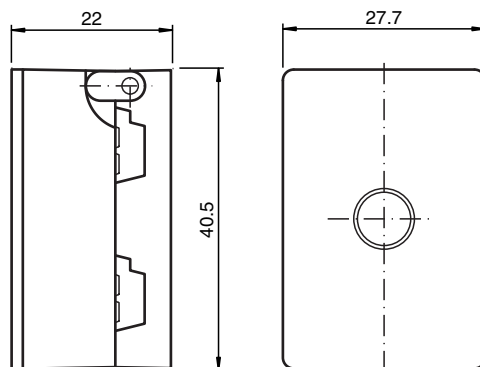
Function

Motor rollers that regenerate braking energy increase the voltage on the connecting cable when switching off. The VAZ-G10-LIMITER limits the voltage on the supply line so that there is no power supply switch-off or error message. The energy is absorbed in the VAZ-G10-LIMITER. The design depends on the speed of the motor rollers, the load, the type of motor rollers and the ambient temperature.

The maximum energy absorption per LIMITER is indicated in the performance diagram. For a given weight of the individual masses transported and given transport speed of the rollers, the maximum permissible number of braking operations on the monitored supply line per LIMITER can be read off. The maximum permissible number can be increased by connecting additional LIMITERS.

A VAZ-G10-LIMITER can buffer at least 2 motor rollers.

Dimensions



Technical Data

General specifications

Construction type Flat cable terminals

Electrical specifications

Rated operating voltage U_e 24 V DC \pm 10 % PELV

Protection class III

Compliance with standards and directives

Standard conformity

Degree of protection EN 60529:2000

Ambient conditions

Ambient temperature -25 ... 50 °C (-13 ... 122 °F)

Release date: 2021-09-17 Date of issue: 2021-09-17 Filename: 70107456_eng.pdf

Refer to "General Notes Relating to Pepperl+Fuchs Product Information".

Pepperl+Fuchs Group
www.pepperl-fuchs.com

USA: +1 330 486 0001
fa-info@us.pepperl-fuchs.com

Germany: +49 621 776 1111
fa-info@de.pepperl-fuchs.com

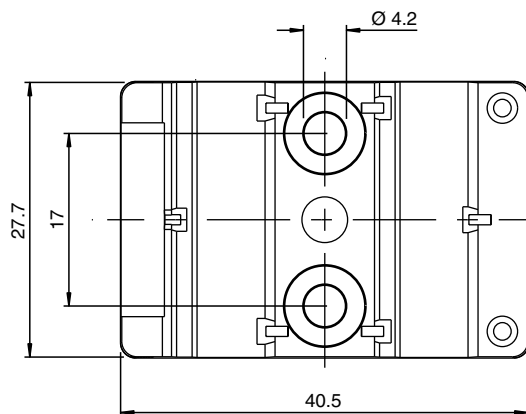
Singapore: +65 6779 9091
fa-info@sg.pepperl-fuchs.com

PF PEPPERL+FUCHS

Technical Data

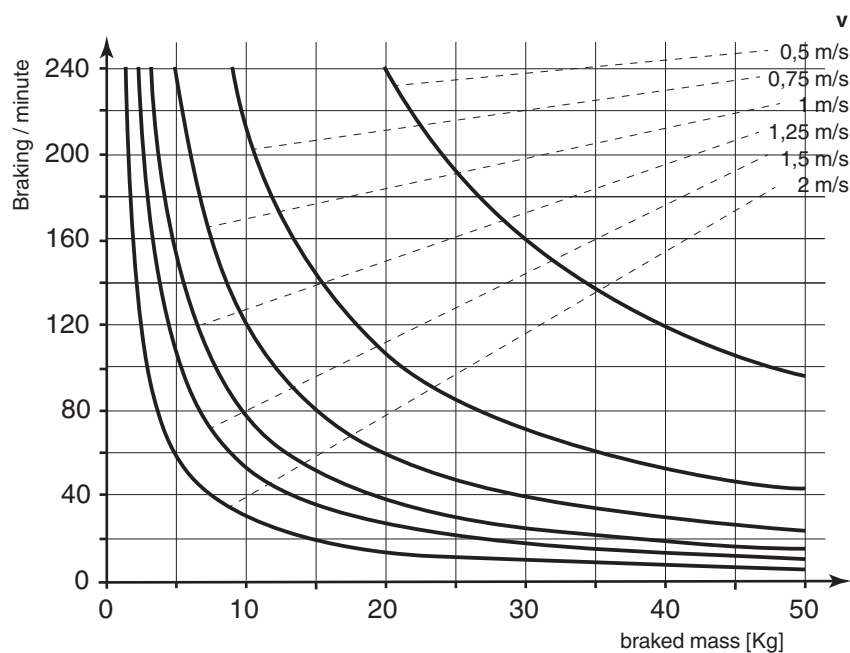
Storage temperature	-25 ... 85 °C (-13 ... 185 °F)
Pollution degree	3
Mechanical specifications	
Degree of protection	IP67 IP67 / IP68 / IP69K with flat cable VAZ-FK-S*
Connection	Flat cable: cable piercing method
Material	
Contacts	CuSn / Au
Housing	PBT
Mounting screw	Stainless steel 1.4305 / AISI 303
Mass	40 g
Tightening torque, fastening screws	1.65 Nm

Mounting



Characteristic Curve

Performance Chart (per LIMITER)



Release date: 2021-09-17 Date of issue: 2021-09-17 Filename: 70107456_eng.pdf

Refer to "General Notes Relating to Pepperl+Fuchs Product Information".

Pepperl+Fuchs Group
www.pepperl-fuchs.com

USA: +1 330 486 0001
fa-info@us.pepperl-fuchs.com

Germany: +49 621 776 1111
fa-info@de.pepperl-fuchs.com

Singapore: +65 6779 9091
fa-info@sg.pepperl-fuchs.com

PF PEPPERL+FUCHS

You may screw the device onto a level mounting surface using two M4 attachment screws. The attachment screws are not included.

Release date: 2021-09-17 Date of issue: 2021-09-17 Filename: 70107456_eng.pdf

Refer to "General Notes Relating to Pepperl+Fuchs Product Information".

Pepperl+Fuchs Group
www.pepperl-fuchs.com

USA: +1 330 486 0001
fa-info@us.pepperl-fuchs.com

Germany: +49 621 776 1111
fa-info@de.pepperl-fuchs.com

Singapore: +65 6779 9091
fa-info@sg.pepperl-fuchs.com