



Modbus Gateway

ICDM-RX/MOD-2DB9/RJ45-DIN

- DIN-rail mounting and DB9 connectors
- Pure Modbus, multiple Modbus server and client types, remote, local, and private devices
- Web-based configuration
- RS-232/422/485 software selectable interfaces
- NEMA TS2 Certified

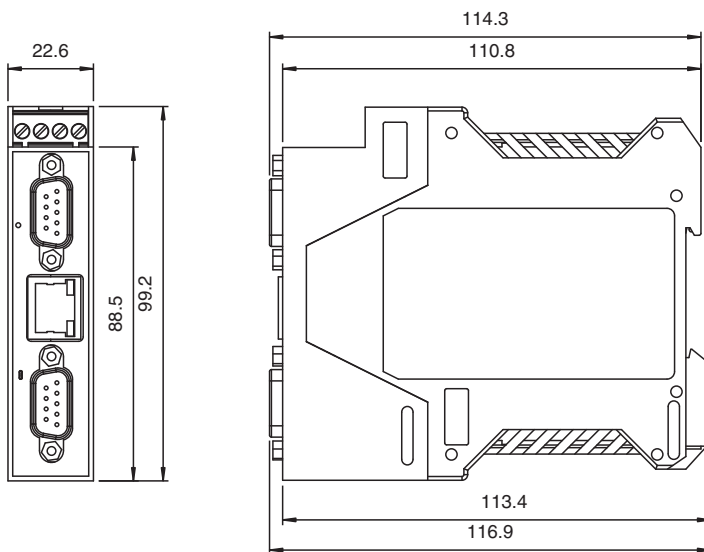
Modbus Gateway 2-port DIN rail DB9



Function

The ICDM-RX/MOD product family provides an innovative network-wide Modbus connectivity from a wide variety of Modbus gateways to a wide variety of local and remote Modbus clients. Advanced features include gateway-to-gateway communication, private serial bus connectivity, write protection, and device ID aliasing. With simplified configuration pages and advanced routing, it provides unmatched Modbus connectivity. The integrated webserver enables complete configuration of all module parameters like serial interface, baud rate, data bits, stop bits, or flow control. Products are available in different versions for DB9 or screw terminal connection.

Dimensions



Technical Data

General specifications

| | |
|----------------|---------|
| UL File Number | E360395 |
| MTBF | 46.3 a |

Indicators/operating means

| | |
|----------------|------------|
| LED indication | see manual |
|----------------|------------|

Electrical specifications

| | | |
|-------------------------|-----------------|---------------|
| Rated operating voltage | U_e | 5 ... 30 V DC |
| General information | Redundant power | |
| Nominal voltage | 24 V DC | |

Interface

Release date: 2024-04-25 Date of issue: 2024-04-25 Filename: 70114030_eng.pdf

Refer to "General Notes Relating to Pepperl+Fuchs Product Information".

Pepperl+Fuchs Group
www.pepperl-fuchs.com

USA: +1 330 486 0001
fa-info@us.pepperl-fuchs.com

Germany: +49 621 776 1111
fa-info@de.pepperl-fuchs.com

Singapore: +65 6779 9091
fa-info@sg.pepperl-fuchs.com

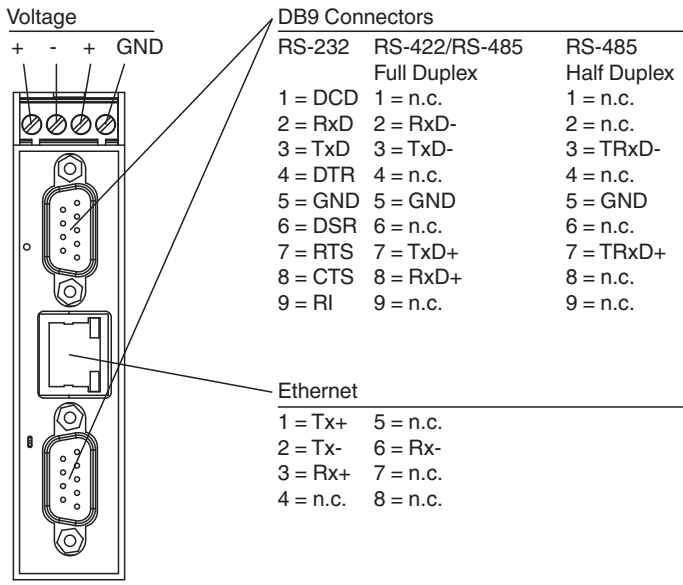
PF PEPPERL+FUCHS

Technical Data

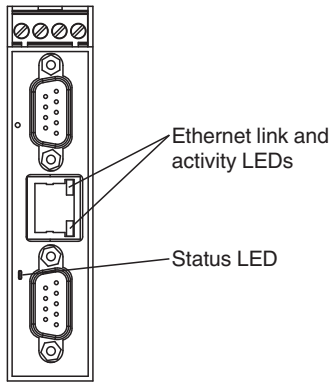
| | |
|----------------------------------|---|
| Interface type | Software selectable interfaces: RS-232 , RS-422 , RS-485 (2 and 4-wire) |
| Physical | 2 x DB9 |
| Protocol | MODBUS RTU |
| Supported baud rates | 300 bps to 230Kbps |
| Interface 1 | |
| Interface type | Industrial Ethernet |
| Physical | 1 x RJ45 |
| Protocol | MODBUS TCP/IP |
| Additional protocols | ARP, BOOTP, DHCP/RARP, HTTP, HTTPS, SSH, SSL/TLS, ICMP, RFC 1006 (ISO over TCP), SNMP (MIB-II), TCP/IP & UDP socket services, Telnet, and TFTP, and supports IP multicast data transmission |
| Transfer rate | 10/100 Mbps |
| Directive conformity | |
| Electromagnetic compatibility | |
| Directive 2014/30/EU | EN 61000-6-2:2005 , EN 610006-4:2007 , EN 610006-4/A1:2011 |
| RoHS | EN IEC 63000:2018 |
| Standard conformity | |
| Degree of protection | NEMA TS2 |
| Electrical safety | CSA C22.2 No. 60950 / UL60950 |
| Emitted interference | EN 61000-6-4, EN 55032, FCC Part 15 Subpart B, ICES-003, AS/NZS CISPR 32 |
| Noise immunity | EN 61000-6-2:2005 |
| Ambient conditions | |
| Ambient temperature | -40 ... 75 °C (-40 ... 167 °F) |
| Storage temperature | -40 ... 85 °C (-40 ... 185 °F) |
| Relative humidity | max. 95 % |
| Altitude | 0 ... 3048 m |
| Mechanical specifications | |
| Degree of protection | IP20 |
| Connection | Power Supply: screw terminals Fieldbus: 1 x RJ45 Inputs/outputs: 2 x DB9 |
| Material | |
| Housing | Polyamide, UL94V-0 |
| Mass | 136g |
| Dimensions | |
| Height | 99.1 mm |
| Width | 22.9 mm |
| Length | 116.8 mm |
| Construction type | Cabinet module |
| Mounting | DIN mounting rail |

Release date: 2024-04-25 Date of issue: 2024-04-25 Filename: 70114030_eng.pdf

Connection



Assembly



Release date: 2024-04-25 Date of issue: 2024-04-25 Filename: 70114030_eng.pdf