



# EtherNet/IP to Modbus Gateway

## ICDM-RX/EN1-2DB9/RJ45-DIN

- DIN-rail mounting and DB9 connectors
- EtherNet/IP to Modbus TCP, Modbus TCP to EtherNet/IP, and Modbus to Modbus communications
- Advanced Modbus gateway and routing capabilities
- Data Mapping sub-system and a built-in Modbus concentrator
- Web-based configuration
- RS-232/422/485 software selectable interfaces
- NEMA TS2 Certified

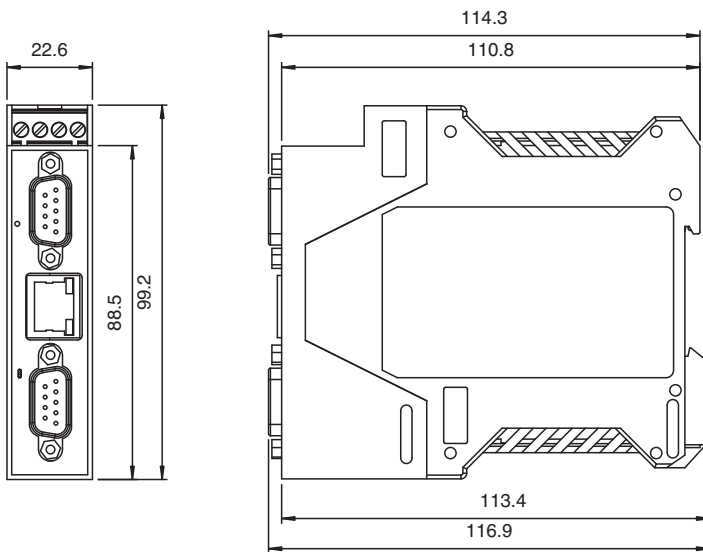
EtherNet/IP to Modbus Gateway 2-port DIN rail DB9



### Function

The ICDM-RX/EN1 gateway enables the connection of serial devices (RS-232 / RS-422 / RS-485) such as barcode scanners, RFID readers and weigh scales to both EtherNet/IP and Modbus networks. It combines an EtherNet/IP interface with a Modbus gateway functionality and a built-in programmable data mapping sub-system, that ties everything together and doubles as a Modbus concentrator. The embedded web pages provide extensive diagnostics, intuitive and flexible configuration options, secure interfaces and numerous maintenance options. The result is a highly flexible gateway that allows full integration of EtherNet/IP controllers into simple or complex Modbus networks. EtherNet/IP controllers such as PLCs, HMIs, SCADAs and OPC servers can communicate to almost any Modbus gateway or client, either locally or remotely.

### Dimensions



### Technical Data

#### General specifications

UL File Number	E360395
MTBF	46.3 a
<b>Indicators/operating means</b>	
LED indication	see manual
<b>Electrical specifications</b>	
Rated operating voltage	U <sub>e</sub> 5 ... 30 V DC
General information	Redundant power
Nominal voltage	24 V DC

#### Interface

Release date: 2024-04-25 Date of issue: 2024-04-25 Filename: 70114034\_eng.pdf

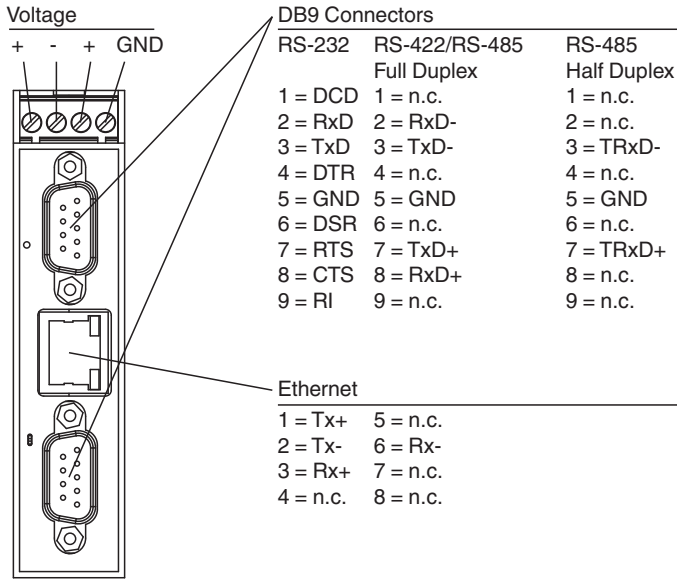
Refer to "General Notes Relating to Pepperl+Fuchs Product Information".

## Technical Data

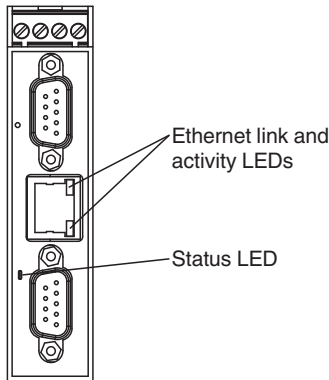
Interface type	Software selectable interfaces: RS-232 , RS-422 , RS-485 (2 and 4-wire)
Physical	2 x DB9
Protocol	MODBUS RTU
Supported baud rates	300 bps to 230Kbps
<b>Interface 1</b>	
Interface type	Industrial Ethernet
Physical	1 x RJ45
Protocol	EtherNet/IP
Additional protocols	ARP, BOOTP, DHCP/RARP, HTTP, HTTPS, SSH, SSL/TLS, ICMP, RFC 1006 (ISO over TCP), SNMP (MIB-II), TCP/IP & UDP socket services, Telnet, and TFTP, and supports IP multicast data transmission
Transfer rate	10/100 Mbps
<b>Directive conformity</b>	
Electromagnetic compatibility	
Directive 2014/30/EU	EN 61000-6-2:2005 , EN 610006-4:2007 , EN 610006-4/A1:2011
RoHS	EN IEC 63000:2018
<b>Standard conformity</b>	
Degree of protection	NEMA TS2
Electrical safety	CSA C22.2 No. 60950 / UL60950
Emitted interference	EN 61000-6-4, EN 55032, FCC Part 15 Subpart B, ICES-003, AS/NZS CISPR 32
Noise immunity	EN 61000-6-2 , EN 55024
<b>Ambient conditions</b>	
Ambient temperature	-40 ... 75 °C (-40 ... 167 °F)
Storage temperature	-40 ... 85 °C (-40 ... 185 °F)
Relative humidity	max. 95 %
Altitude	0 ... 3048 m
<b>Mechanical specifications</b>	
Degree of protection	IP20
Connection	Power Supply: screw terminals Fieldbus: 1 x RJ45 Inputs/outputs: 2 x DB9
Material	
Housing	Polyamide, UL94V-0
Mass	136g
Dimensions	
Height	99.1 mm
Width	22.9 mm
Length	116.8 mm
Construction type	Cabinet module
Mounting	DIN mounting rail

Release date: 2024-04-25 Date of issue: 2024-04-25 Filename: 70114034\_eng.pdf

**Connection**



**Assembly**



Release date: 2024-04-25 Date of issue: 2024-04-25 Filename: 70114034\_eng.pdf