



# Serial Device Server

## ICDM-RX/TCP-2DB9/RJ45-DIN

- DIN-rail mounting and DB9 connectors
- Device drivers (Windows and Linux)
- TCP/IP & UDP Socket Services
- Web-based configuration
- RS-232/422/485 software selectable interfaces
- NEMA TS2 Certified

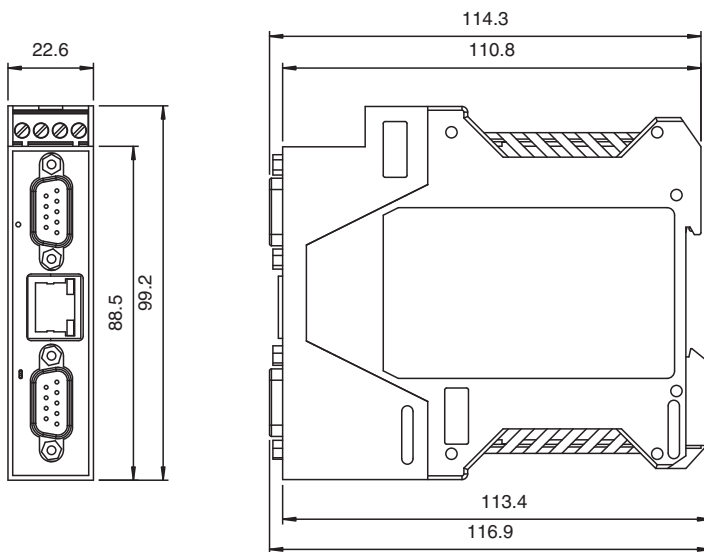
Serial Device 2-port DIN rail DB9



### Function

The ICDM-RX/TCP product family enables the connection of serial devices (RS-232 / RS-422 / RS-485) using a device driver (Windows or Linux) or Ethernet TCP/IP devices using socket services to an industrial Ethernet network. The integrated webserver enables complete configuration of all module parameters like serial interface, baud rate, parity, data bits, stop bits, or flow control. Products are available in different versions for DB9 or screw terminal connection.

### Dimensions



### Technical Data

| General specifications     |   |
|----------------------------|---|
| UL File Number             | E360395   |
| MTBF                       | 46.3 a  |
| Indicators/operating means |   |
| LED indication             | see manual  |
| Electrical specifications  |   |
| Rated operating voltage    | U <sub>e</sub> 5 ... 30 V DC  |
| General information        | Redundant power   |
| Nominal voltage            | 24 V DC   |
| Interface                  |   |
| Interface type             | Software selectable interfaces: RS-232 , RS-422 , RS-485 (2 and 4-wire) |

Release date: 2024-04-25 Date of issue: 2024-04-25 Filename: 70114044\_eng.pdf

Refer to "General Notes Relating to Pepperl+Fuchs Product Information".

## Technical Data

|                                  |   |
|----------------------------------|---|
| Physical                         | 2 x DB9   |
| Protocol                         | Raw serial  |
| Supported baud rates             | 300 bps to 230Kbps  |
| <b>Interface 1</b>               |   |
| Interface type                   | Industrial Ethernet   |
| Physical                         | 1 x RJ45  |
| Protocol                         | TCP/IP  |
| Additional protocols             | ARP, BOOTP, DHCP/RARP, HTTP, HTTPS, SSH, SSL/TLS, ICMP, RFC 1006 (ISO over TCP), SNMP (MIB-II), TCP/IP & UDP socket services, Telnet, and TFTP, and supports IP multicast data transmission |
| Transfer rate                    | 10/100 Mbps   |
| <b>Directive conformity</b>      |   |
| Electromagnetic compatibility    |   |
| Directive 2014/30/EU             | EN 61000-6-2:2005 , EN 610006-4:2007 , EN 610006-4/A1:2011  |
| RoHS                             | EN IEC 63000:2018   |
| <b>Standard conformity</b>       |   |
| Degree of protection             | NEMA TS2  |
| Electrical safety                | CSA C22.2 No. 60950 / UL60950   |
| Emitted interference             | EN 61000-6-4, EN 55032, FCC Part 15 Subpart B, ICES-003, AS/NZS CISPR 32  |
| Noise immunity                   | EN 61000-6-2 , EN 55024   |
| <b>Ambient conditions</b>        |   |
| Ambient temperature              | -40 ... 75 °C (-40 ... 167 °F)  |
| Storage temperature              | -40 ... 85 °C (-40 ... 185 °F)  |
| Relative humidity                | max. 95 %   |
| Altitude                         | 0 ... 3048 m  |
| <b>Mechanical specifications</b> |   |
| Degree of protection             | IP20  |
| Connection                       | Power Supply: screw terminals<br>Fieldbus: 1 x RJ45<br>Inputs/outputs: 2 x DB9  |
| <b>Material</b>                  |   |
| Housing                          | Polyamide, UL94V-0  |
| Mass                             | 136g  |
| <b>Dimensions</b>                |   |
| Height                           | 99.1 mm   |
| Width                            | 22.9 mm   |
| Length                           | 116.8 mm  |
| Construction type                | Cabinet module  |
| Mounting                         | DIN mounting rail   |

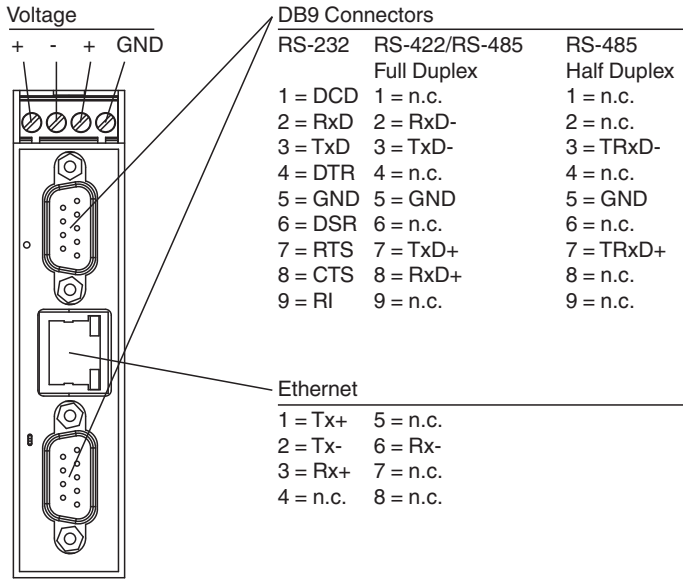
Release date: 2024-04-25 Date of issue: 2024-04-25 Filename: 70114044\_eng.pdf

Refer to "General Notes Relating to Pepperl+Fuchs Product Information".

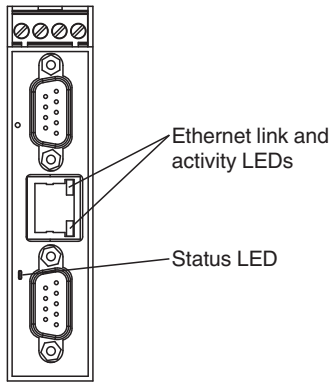
Pepperl+Fuchs Group  
www.pepperl-fuchs.comUSA: +1 330 486 0001  
fa-info@us.pepperl-fuchs.comGermany: +49 621 776 1111  
fa-info@de.pepperl-fuchs.comSingapore: +65 6779 9091  
fa-info@sg.pepperl-fuchs.com

**PEPPERL+FUCHS**

**Connection**



**Assembly**



Release date: 2024-04-25 Date of issue: 2024-04-25 Filename: 70114044\_eng.pdf