



Serial Device Server

ICDM-RX/TCP-2ST/RJ45-DIN

- DIN-rail mounting and screw terminal connectors
- TCP/IP & UDP Socket Services
- Device drivers (Windows and Linux)
- Web-based configuration
- RS-232/422/485 software selectable interfaces
- NEMA TS2 Certified

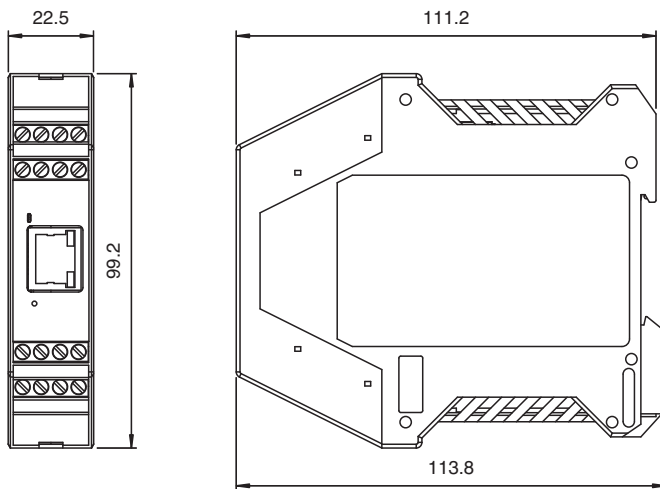
Serial Device Server 2-port DIN rail Screw Terminal



Function

The ICDM-RX/TCP product family enables the connection of serial devices (RS-232 / RS-422 / RS-485) using a device driver (Windows or Linux) or Ethernet TCP/IP devices using socket services to an industrial Ethernet network. The integrated webserver enables complete configuration of all module parameters like serial interface, baud rate, parity, data bits, stop bits, or flow control. Products are available in different versions for DB9 or screw terminal connection.

Dimensions



Technical Data

General specifications	
UL File Number	E185802
MTBF	58.6 a
Indicators/operating means	
LED indication	see manual
Electrical specifications	
Rated operating voltage	U _e 5 ... 30 V DC
Nominal voltage	24 V DC
Interface	
Interface type	Software selectable interfaces: RS-232 , RS-422 , RS-485 (2 and 4-wire)
Physical	2 x Screw Terminal
Protocol	Raw serial
Supported baud rates	300 bps to 230Kbps

Release date: 2024-04-25 Date of issue: 2024-04-25 Filename: 70114045_eng.pdf

Refer to "General Notes Relating to Pepperl+Fuchs Product Information".

Pepperl+Fuchs Group
www.pepperl-fuchs.com

USA: +1 330 486 0001
fa-info@us.pepperl-fuchs.com

Germany: +49 621 776 1111
fa-info@de.pepperl-fuchs.com

Singapore: +65 6779 9091
fa-info@sg.pepperl-fuchs.com

PEPPERL+FUCHS

Technical Data

Interface 1	
Interface type	Industrial Ethernet
Physical	1 x RJ45
Protocol	TCP/IP
Additional protocols	ARP, BOOTP, DHCP/RARP, HTTP, HTTPS, SSH, SSL/TLS, ICMP, RFC 1006 (ISO over TCP), SNMP (MIB-II), TCP/IP & UDP socket services, Telnet, and TFTP, and supports IP multicast data transmission
Transfer rate	10/100 Mbps
Directive conformity	
Electromagnetic compatibility	
Directive 2014/30/EU	EN 61000-6-2:2005 , EN 610006-4:2007 , EN 610006-4/A1:2011
RoHS	EN IEC 63000:2018
Standard conformity	
Degree of protection	NEMA TS2
Electrical safety	CSA C22.2 No. 60950 / UL60950
Emitted interference	EN 61000-6-4, EN 55032, FCC Part 15 Subpart B, ICES-003, AS/NZS CISPR 32.
Noise immunity	EN 61000-6-2 , EN 55024
Ambient conditions	
Ambient temperature	-40 ... 75 °C (-40 ... 167 °F)
Storage temperature	-40 ... 85 °C (-40 ... 185 °F)
Relative humidity	max. 95 %
Altitude	0 ... 3048 m
Mechanical specifications	
Degree of protection	IP20
Connection	Power Supply: screw terminals Fieldbus: 1 x RJ45 Inputs/outputs: 2 x Screw Terminals
Material	
Housing	Polyamide, UL94V-0
Mass	130.4g
Dimensions	
Height	99 mm
Width	22.6 mm
Length	111 mm
Construction type	Cabinet module
Mounting	DIN mounting rail

Release date: 2024-04-25 Date of issue: 2024-04-25 Filename: 70114045_eng.pdf

Refer to "General Notes Relating to Pepperl+Fuchs Product Information".

Pepperl+Fuchs Group
www.pepperl-fuchs.com

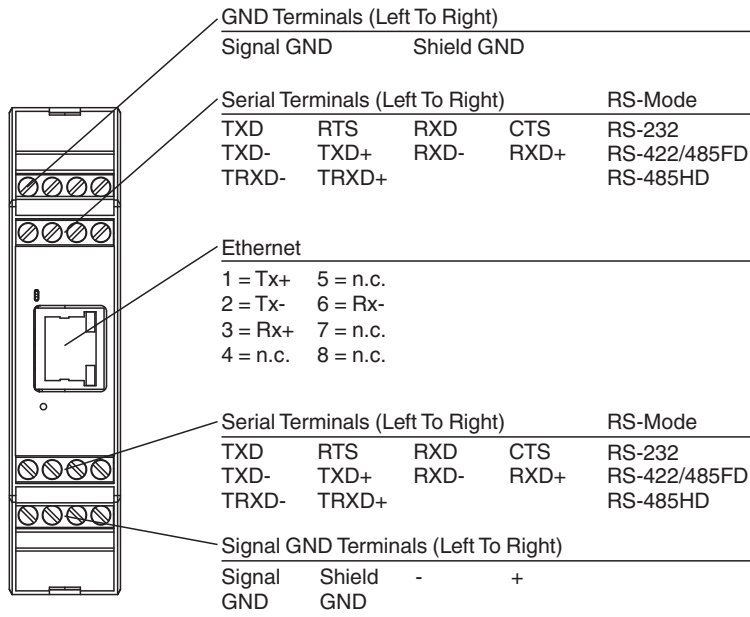
USA: +1 330 486 0001
fa-info@us.pepperl-fuchs.com

Germany: +49 621 776 1111
fa-info@de.pepperl-fuchs.com

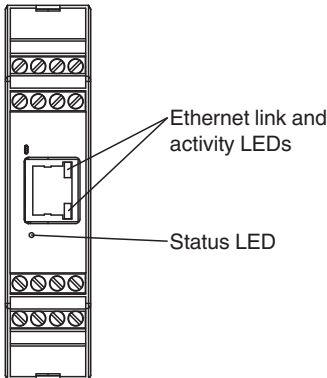
Singapore: +65 6779 9091
fa-info@sg.pepperl-fuchs.com

 **PEPPERL+FUCHS**

Connection



Assembly



Release date: 2024-04-25 Date of issue: 2024-04-25 Filename: 70114045_eng.pdf

Refer to "General Notes Relating to Pepperl+Fuchs Product Information".