

## Ultrasonic sensor

UCC2500-50GK-B26-V15-Y70117804

- Thread M50
- PTFE coated transducer
- Serial Interfaces
- Temperature compensation
- Customer-specific configuration

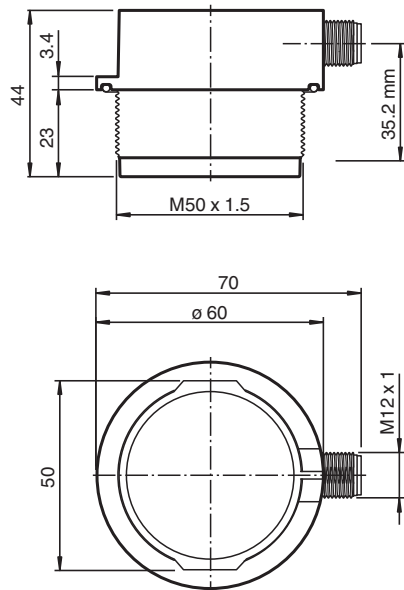
Single head system



### Function

The distance measurement is carried out over the runtime of the ultrasonic impulse. A measuring cycle is triggered by sending a start telegram. Once the measurement has been taken, the result is returned in 8-bit form.

### Dimensions



### Technical Data

#### General specifications

Sensing range	150 ... 2500 mm
Dead band	0 ... 150 mm
Standard target plate	100 mm x 100 mm
Transducer frequency	approx. 120 kHz

#### Electrical specifications

Release date: 2023-01-17 Date of issue: 2023-01-17 Filename: 70117804\_eng.pdf

Refer to "General Notes Relating to Pepperl+Fuchs Product Information".

Pepperl+Fuchs Group  
www.pepperl-fuchs.com

USA: +1 330 486 0001  
fa-info@us.pepperl-fuchs.com

Germany: +49 621 776 1111  
fa-info@de.pepperl-fuchs.com

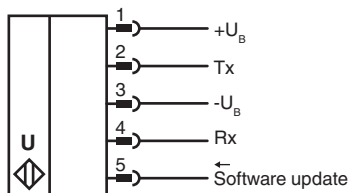
Singapore: +65 6779 9091  
fa-info@sg.pepperl-fuchs.com

PEPPERL+FUCHS

## Technical Data

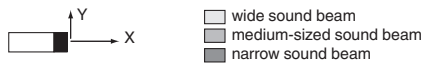
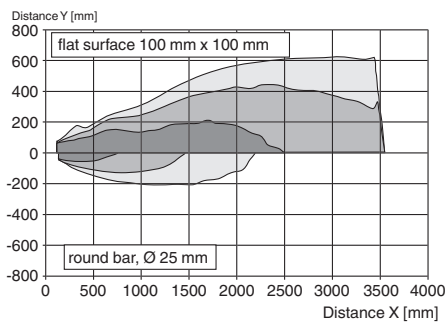
Operating voltage	$U_B$	3 ... 5.5 V DC
No-load supply current	$I_0$	≤ 70 mA at 3.3 V DC
Power consumption	$P_0$	≤ 250 mW in the measurement operating mode
Time delay before availability	$t_v$	≤ 70 ms
<b>Interface</b>		
Interface type		UART 3.3V
Transfer rate		19.2 kBit/s (8N1)
Cycle time		55 ms
Resolution		10 mm (corresponding to 1 LSB)
Temperature influence		4 % of full-scale value over the entire temperature range
<b>Input</b>		
Input type		Physical LIN interface
Function		for Software Update/s
<b>Directive conformity</b>		
Electromagnetic compatibility		
Directive 2014/30/EU		EN IEC 60947-5-2:2020 : chapter 8.2.6.2.2, 8.2.6.2.3, 8.2.6.3 The sensor is designed to be supplied by a battery. The sensor signals are further processed in a control unit, which is also responsible for EMC protection.
<b>Ambient conditions</b>		
Ambient temperature		-25 ... 70 °C (-13 ... 158 °F)
Storage temperature		-40 ... 85 °C (-40 ... 185 °F)
<b>Mechanical specifications</b>		
Connection type		Connector plug M12 x 1 , 5-pin
Housing diameter		60 mm / 50 mm
Degree of protection		IP67
Material		
Housing		PBT
Transducer		epoxy resin/hollow glass bead mixture; Polyurethane foam, PTFE coated
Mass		115 g
Construction type		Cylindrical, thread M 50
<b>Factory settings</b>		
Default setting		Temperature compensation Address setting 7
<b>General information</b>		
Scope of delivery		Seal

## Connection



# Characteristic Curve

## Characteristic response curve



Release date: 2023-01-17 Date of issue: 2023-01-17 Filename: 70117804\_eng.pdf

Refer to "General Notes Relating to Pepperl+Fuchs Product Information".

Pepperl+Fuchs Group  
www.pepperl-fuchs.com

USA: +1 330 486 0001  
fa-info@us.pepperl-fuchs.com

Germany: +49 621 776 1111  
fa-info@de.pepperl-fuchs.com

Singapore: +65 6779 9091  
fa-info@sg.pepperl-fuchs.com